

TRADITIONAL SASH WINDOW WITH SPIRAL BALANCES

TITLE

ELEVATION DRAWING

DRAWING No.

SPIRAL-160/01

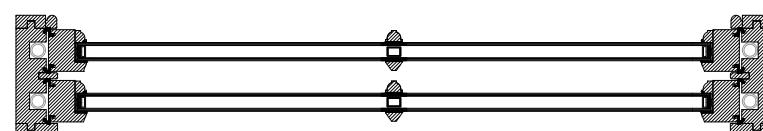
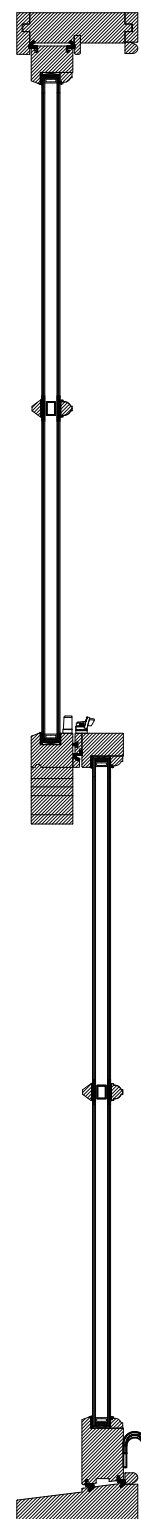
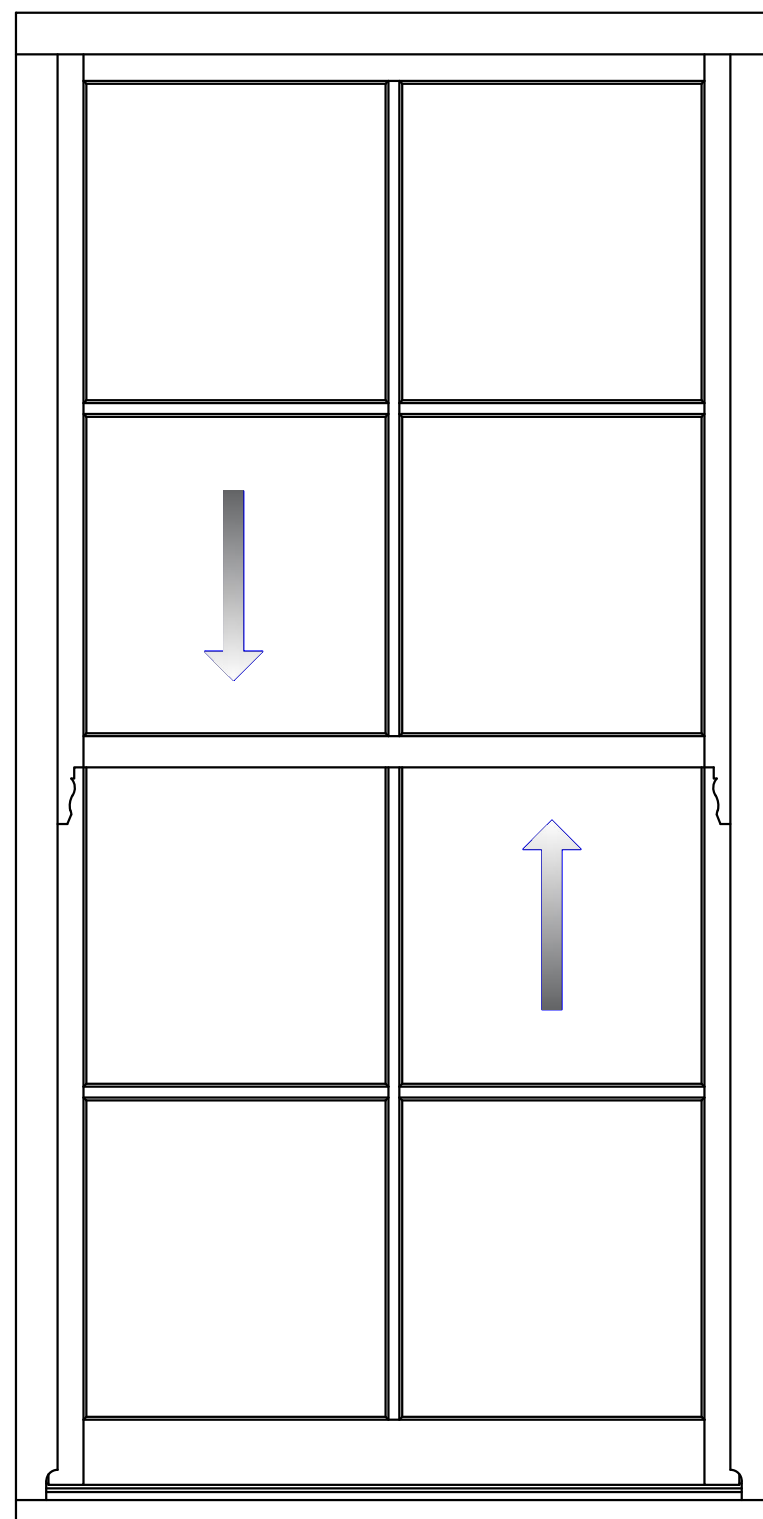
DATE

2018/06/06

SCALE

1:10 @ A3

CONSTRUCTION DETAILS

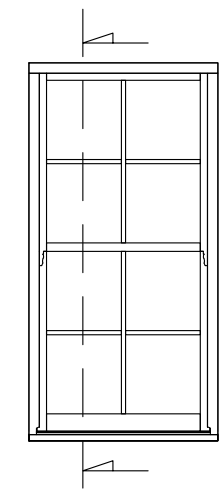
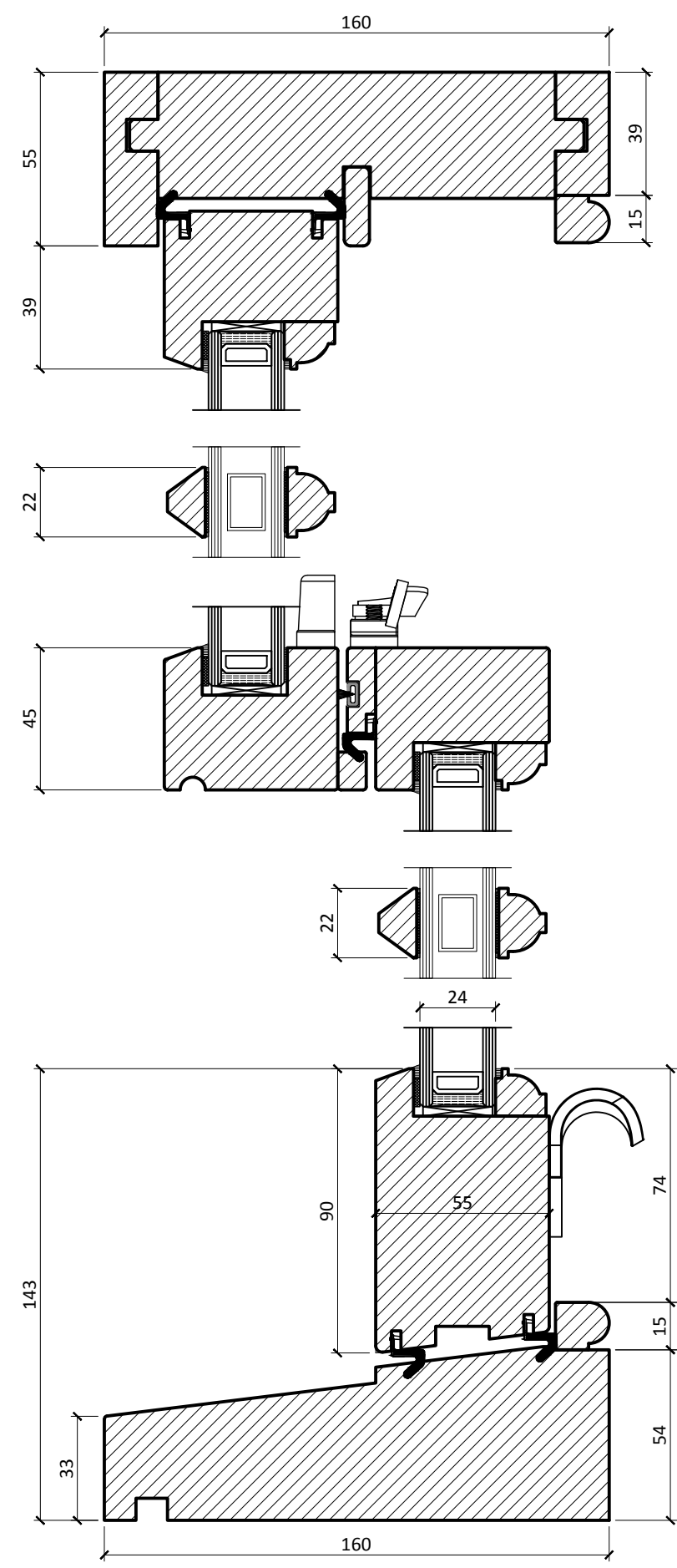


Material	Manufactured in selected engineered laminated pine or hardwood, sourced from sustainable and managed forestry (FSC or PFEC certified)
Mechanism	Sashes are hung on Pre tensioned constant force spiral balances
Weatherseal	The window is fully weather sealed to BS EN 6375-1 2009
Glazing	Windows are internally beaded with the external rebate up stand to give the appearance of putty glazing
Glass	The window is factory glazed with 24 mm thickness dual sealed units
Thermal Performance	Thermal performance is calculated by the standards of EN ISO 10077-1:2006 and typically this window achieves a U-value of 1.6 W/m ² K or better
Glazing Bars	Applied bars are used to achieve the slim section of traditional glazing bars. These are applied with double sided glazing tape to both faces of the sealed unit and capped with clear silicone
Cills	Manufactured in Hardwood with options of cill projections
Horns	Solid feature horns to top sashes are included as standard (See Drawing No H-001)
Fittings	A lockable Fitch fastener and two finger pulls to the bottom sash with options in colour and finish
Ventilation	A controllable trickle ventilator can be fitted to the window dependant on width of frame (See Drawing No SPIRAL-160/09)
Restrictors	Restrictors which allows the opening of the sash to be restricted to 100mm is an option
Factory Finishing	To ensure the smooth operation and optimum performance of the window, we apply 3 coats of sprayed applied microporous water based paint system

TRC CONTRACTS Ltd
 Knoll House, Union Wharf,
 Market Harborough,
 Leicestershire LE16 7UW
 Tel: +44 (0)1858 469 225
 Fax: +44 (0)1858 469 249
 www.trcwindows.co.uk



PRODUCT TYPE	
TRADITIONAL SASH WINDOW WITH SPIRAL BALANCES	
TITLE	
VERTICAL SECTION	
DRAWING No.	
SPIRAL-160/02.1	
DATE	SCALE
2018/06/06	1:2 @ A3
CONSTRUCTION DETAILS	



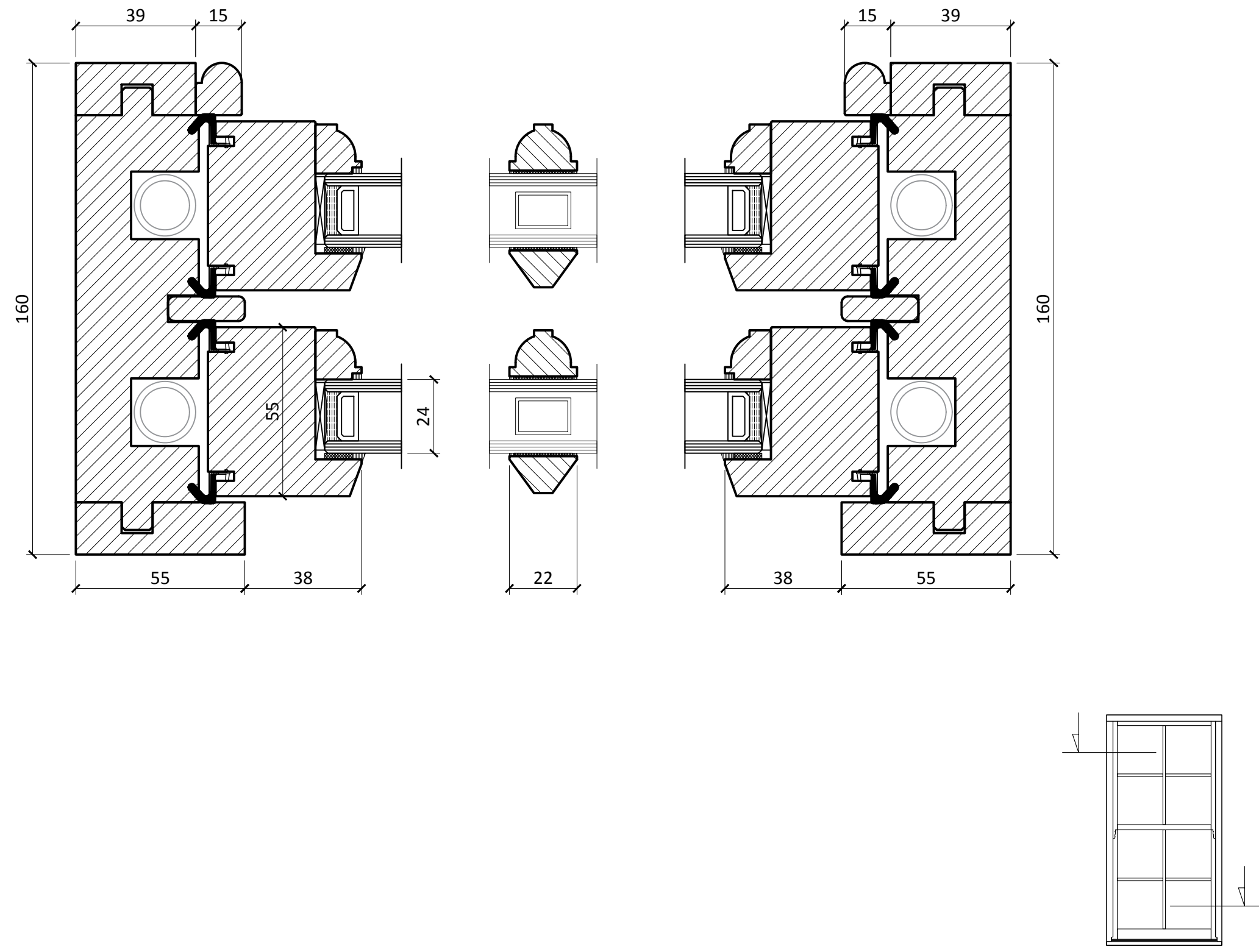
TRC ARE AN ISO 9001 REGISTERED COMPANY



TRC CONTRACTS Ltd
 Knoll House, Union Wharf,
 Market Harborough,
 Leicestershire LE16 7UW
 Tel: +44 (0)1858 469 225
 Fax: +44 (0)1858 469 249
 www.trcwindows.co.uk



PRODUCT TYPE	
TRADITIONAL SASH WINDOW WITH SPIRAL BALANCES	
TITLE	
HORIZONTAL SECTION	
DRAWING No.	
SPIRAL-160/03.1	
DATE	SCALE
2018/06/06	1:1.5 @ A3
CONSTRUCTION DETAILS	



TRC CONTRACTS Ltd
 Knoll House, Union Wharf,
 Market Harborough,
 Leicestershire LE16 7UW
 Tel: +44 (0)1858 469 225
 Fax: +44 (0)1858 469 249
 www.trcwindows.co.uk

TRC ARE AN ISO 9001 REGISTERED COMPANY



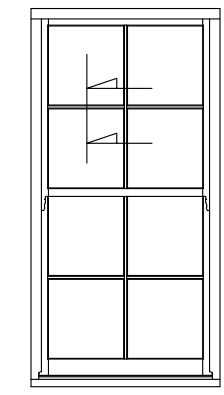
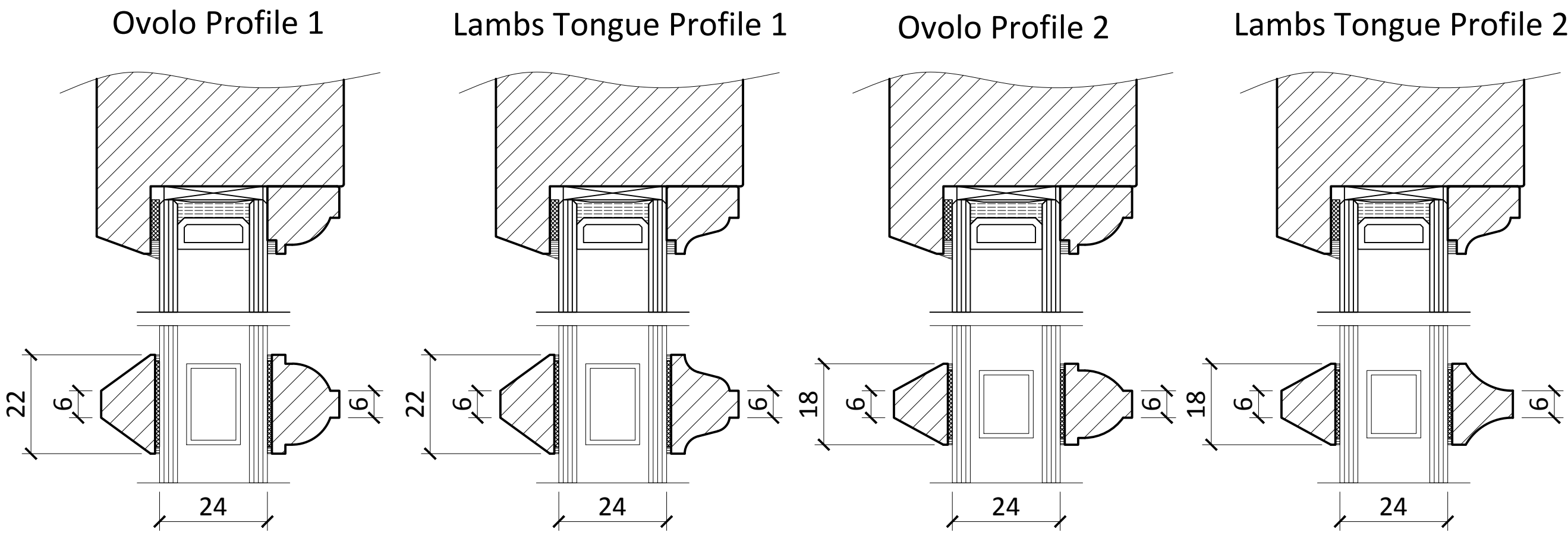
PRODUCT TYPE
TRADITIONAL SASH WINDOW WITH SPIRAL BALANCES

TITLE
GLAZING BAR AND BEAD OPTIONS

DRAWING No.
SPIRAL-160/04.1

DATE	SCALE
2018/06/06	1:1 @ A3

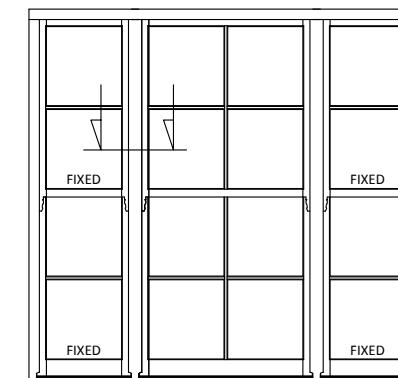
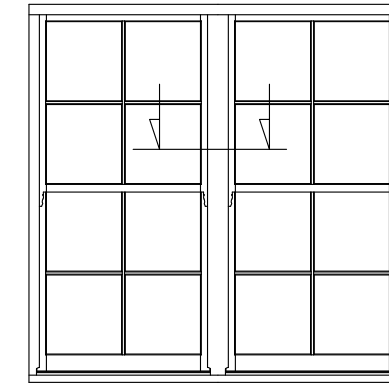
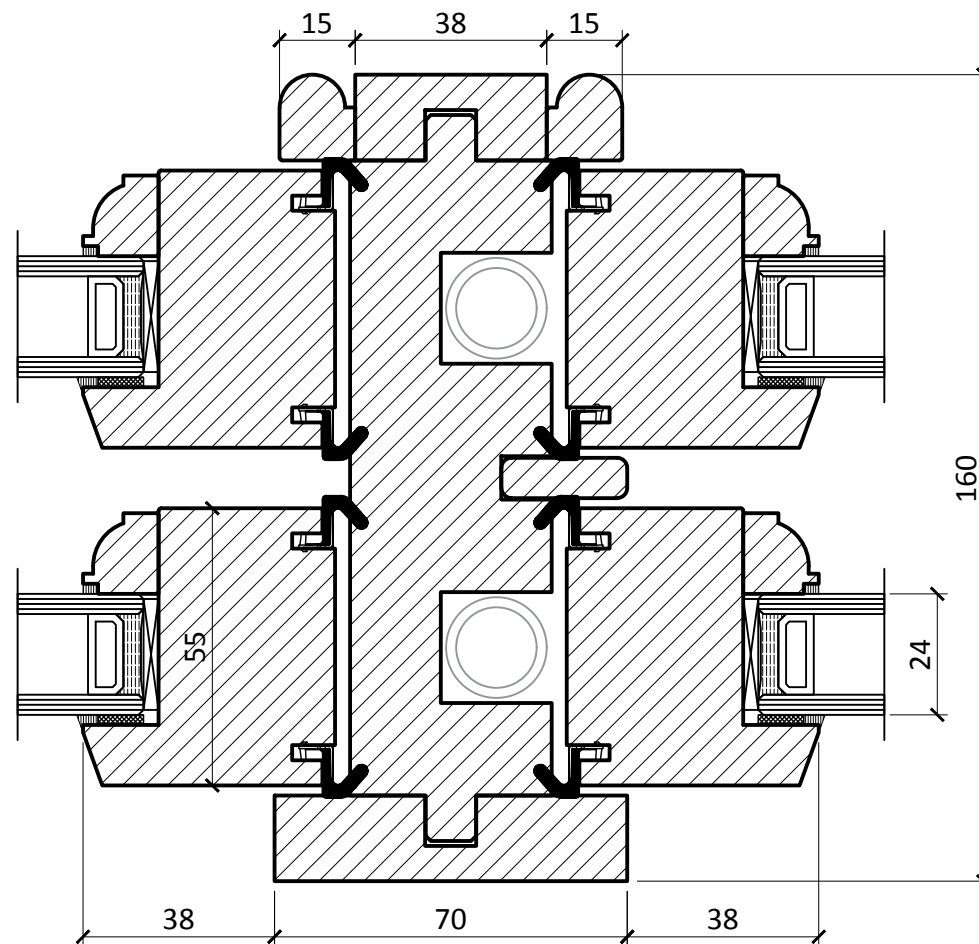
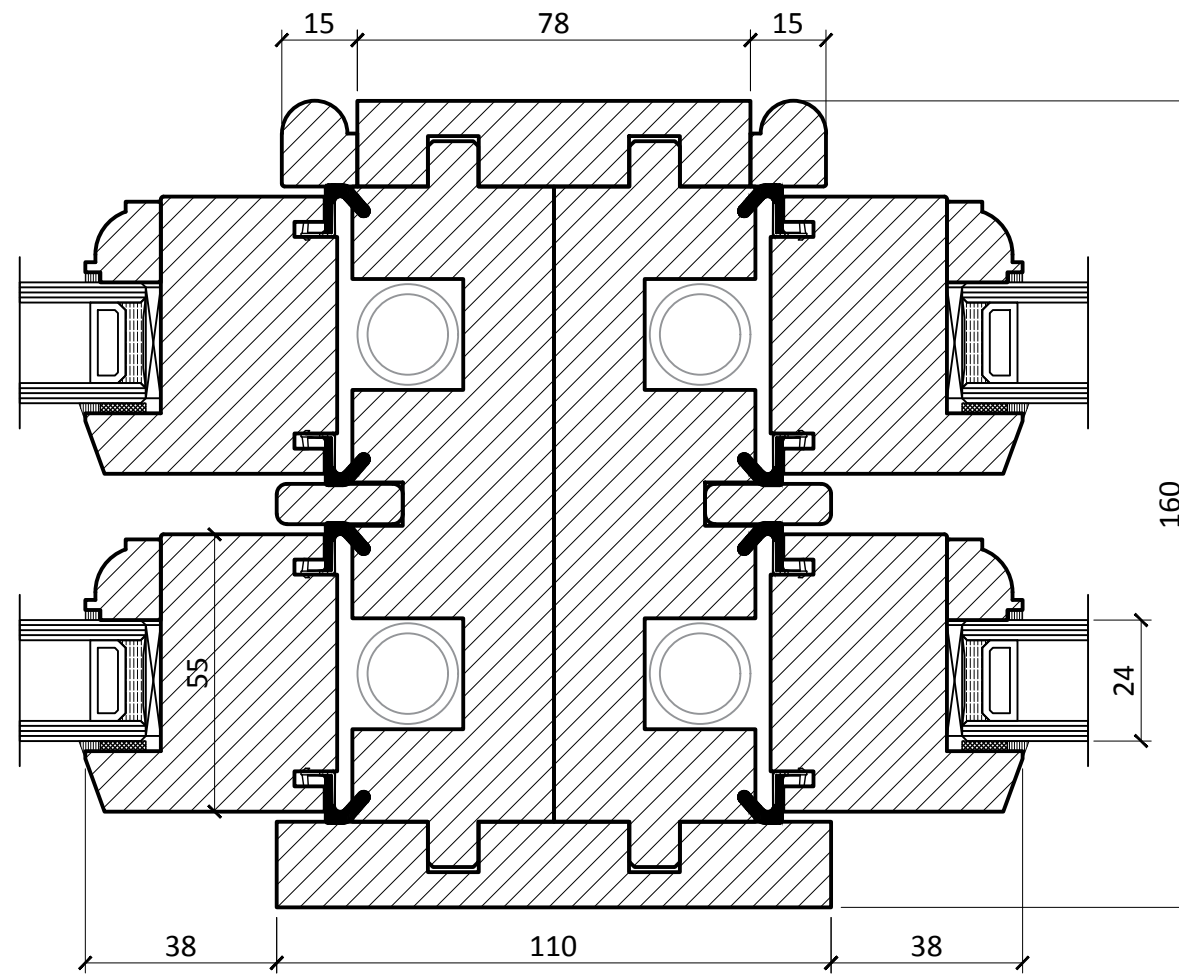
CONSTRUCTION DETAILS



TRC CONTRACTS Ltd
 Knoll House, Union Wharf,
 Market Harborough,
 Leicestershire LE16 7UW
 Tel: +44 (0)1858 469 225
 Fax: +44 (0)1858 469 249
 www.trcwindows.co.uk

TRC ARE AN ISO 9001 REGISTERED COMPANY





PRODUCT TYPE	
TRADITIONAL SASH WINDOW WITH SPIRAL BALANCES	
TITLE	
MULLION DETAIL	
DRAWING No.	
SPIRAL-160/05.1	
DATE	SCALE
2018/06/06	1:1.5 @ A3

CONSTRUCTION DETAILS

TRC CONTRACTS Ltd
 Knoll House, Union Wharf,
 Market Harborough,
 Leicestershire LE16 7UW
 Tel: +44 (0)1858 469 225
 Fax: +44 (0)1858 469 249
www.trcwindows.co.uk

TRC ARE AN ISO 9001 REGISTERED COMPANY



TRADITIONAL SASH WINDOW WITH SPIRAL BALANCES

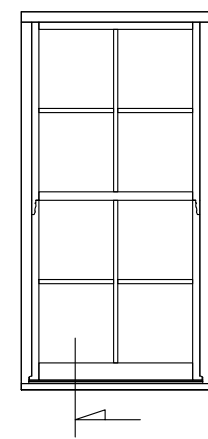
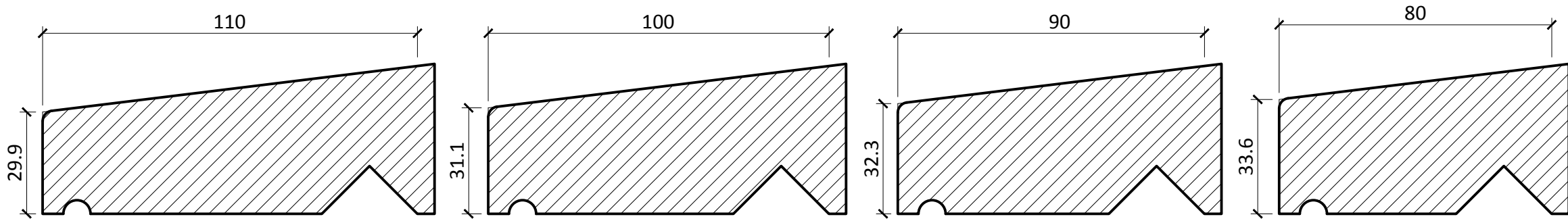
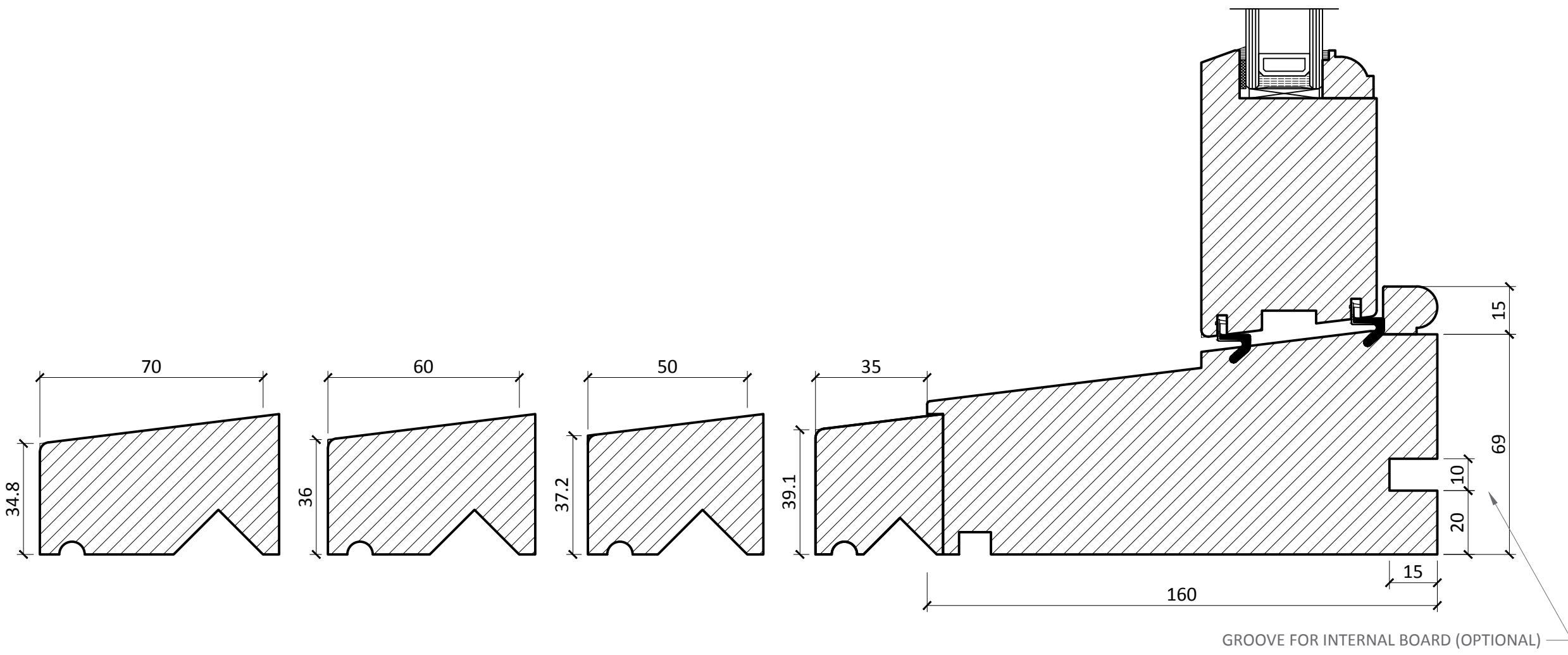
TITLE
CILL EXTENSION OPTIONS

DRAWING No.
SPIRAL-160/06

DATE
2018/06/06

SCALE
1:1.5 @ A3

CONSTRUCTION DETAILS



TRC CONTRACTS Ltd
 Knoll House, Union Wharf,
 Market Harborough,
 Leicestershire LE16 7UW
 Tel: +44 (0)1858 469 225
 Fax: +44 (0)1858 469 249
 www.trcwindows.co.uk

TRC ARE AN ISO 9001 REGISTERED COMPANY



PRODUCT TYPE

TRADITIONAL SASH WINDOW WITH SPIRAL BALANCES

TITLE

SASH HORN OPTIONS

DRAWING No.

H-001

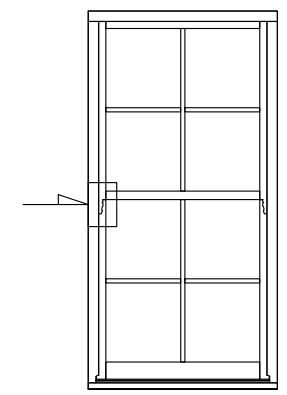
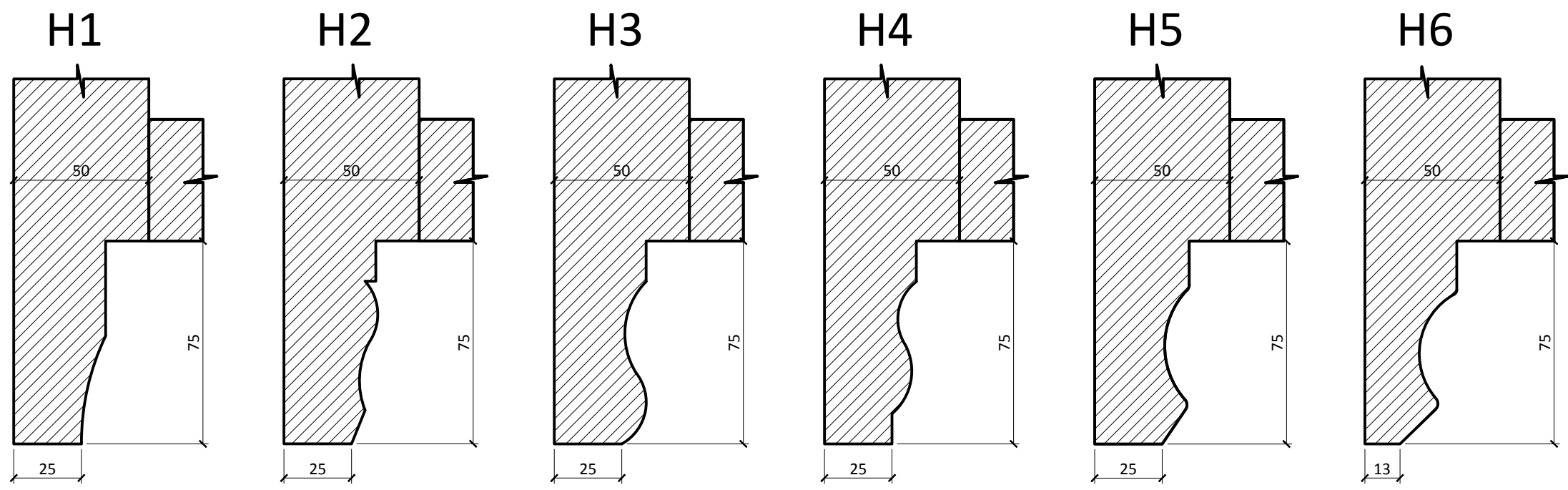
DATE

2018/06/06

SCALE

1:2 @ A3

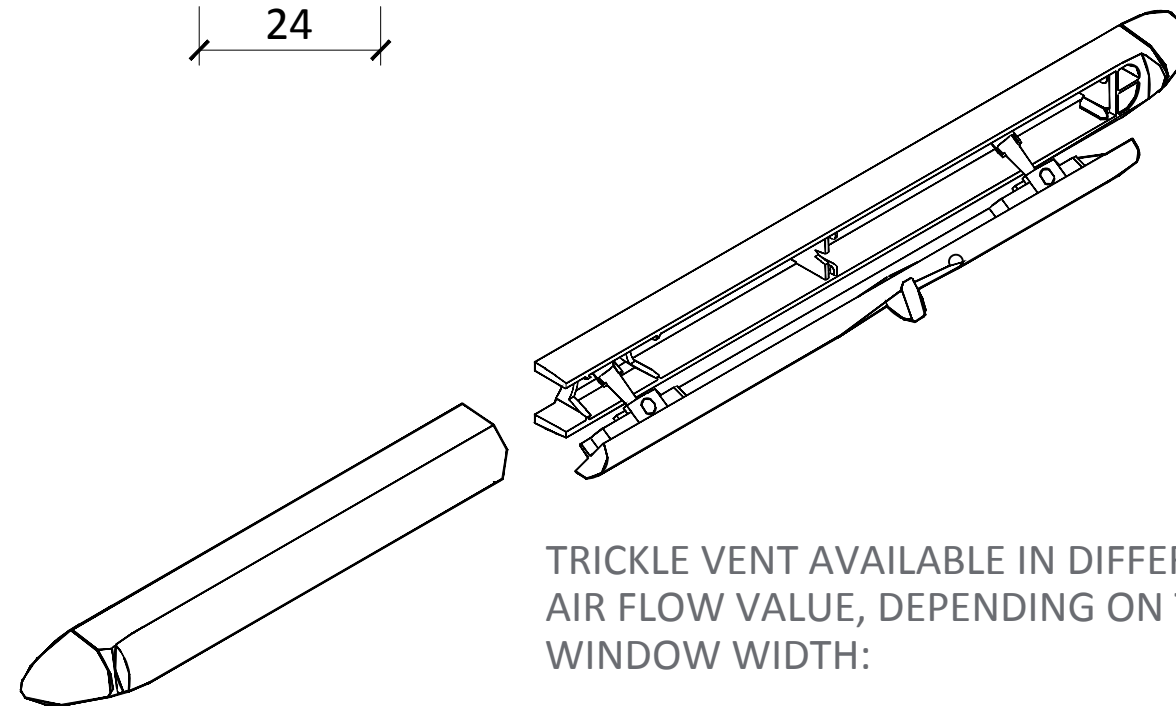
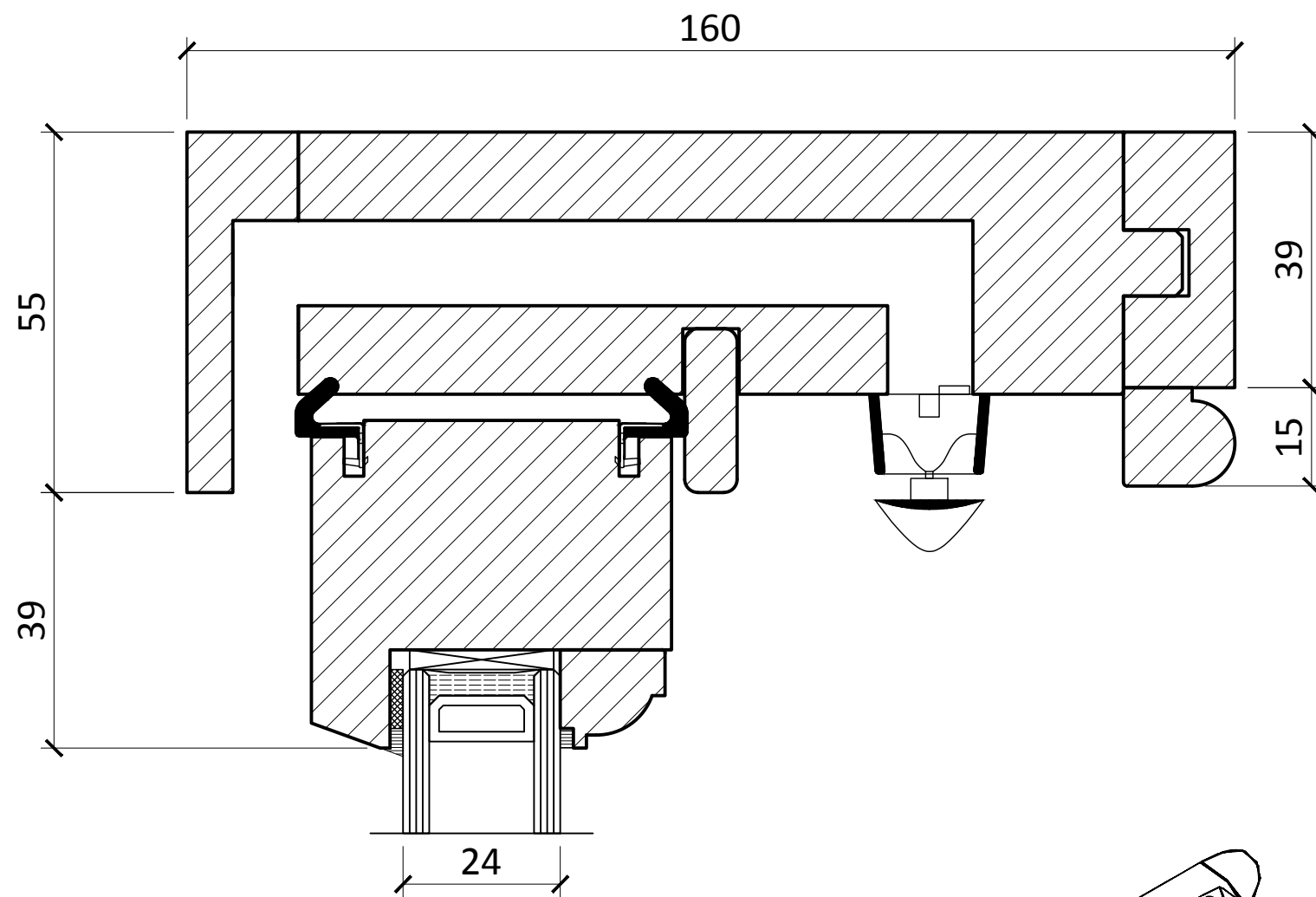
CONSTRUCTION DETAILS



TRC CONTRACTS Ltd
 Knoll House, Union Wharf,
 Market Harborough,
 Leicestershire LE16 7UW
 Tel: +44 (0)1858 469 225
 Fax: +44 (0)1858 469 249
 www.trcwindows.co.uk

TRC ARE AN ISO 9001 REGISTERED COMPANY



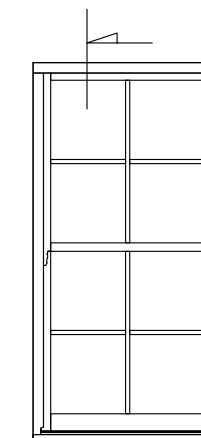


TRICKLE VENT AVAILABLE IN DIFFERENT AIR FLOW VALUE, DEPENDING ON THE WINDOW WIDTH:

* - 1700 mm² EA

* - 4400 mm² EA

* - 5000 mm² EA



PRODUCT TYPE

TRADITIONAL SASH WINDOW WITH SPIRAL BALANCES

TITLE

CONCEALED TRICKLE VENT

DRAWING No.

SPIRAL-160/07

DATE

2018/06/06

SCALE

1:1 @ A3

CONSTRUCTION DETAILS

TRC CONTRACTS Ltd
Knoll House, Union Wharf,
Market Harborough,
Leicestershire LE16 7UW
Tel: +44 (0)1858 469 225
Fax: +44 (0)1858 469 249
www.trcwindows.co.uk

TRC ARE AN ISO 9001 REGISTERED COMPANY

