

TRADITIONAL BOX SASH WINDOW

TITLE

ELEVATION DRAWING

DRAWING No.

BOX-160/01

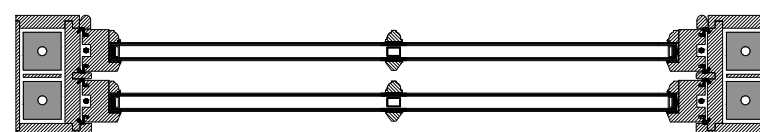
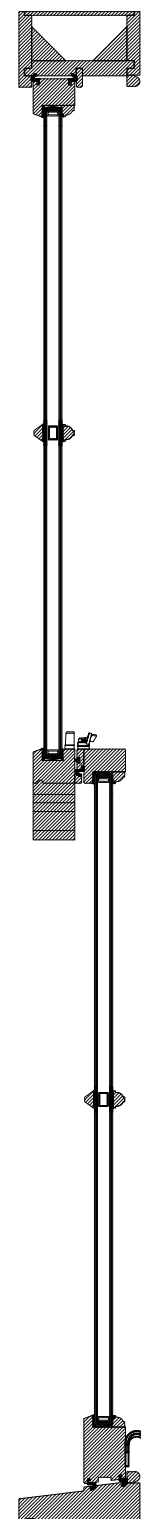
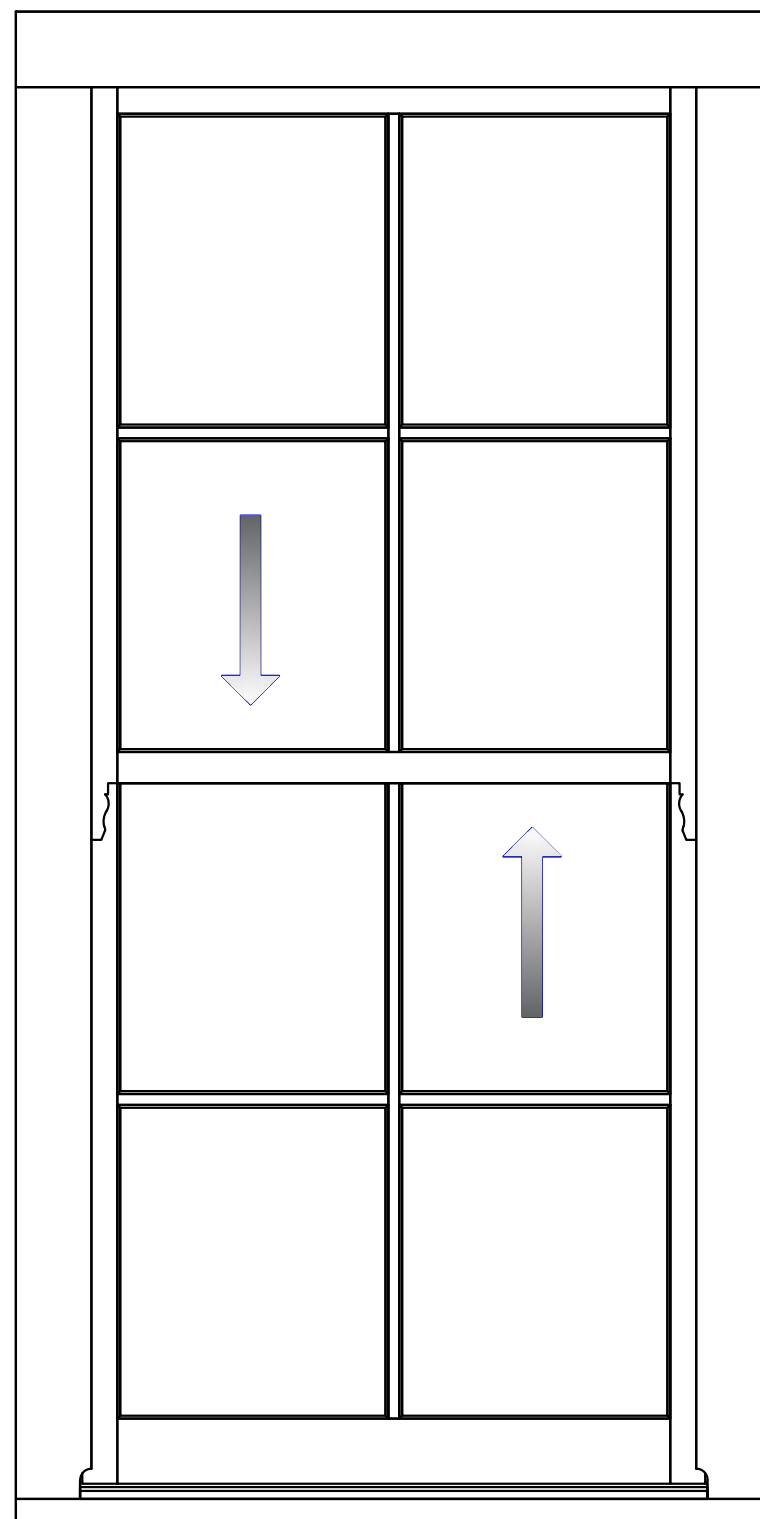
DATE

2018/06/06

SCALE

1:10 @ A3

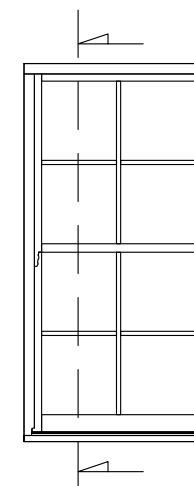
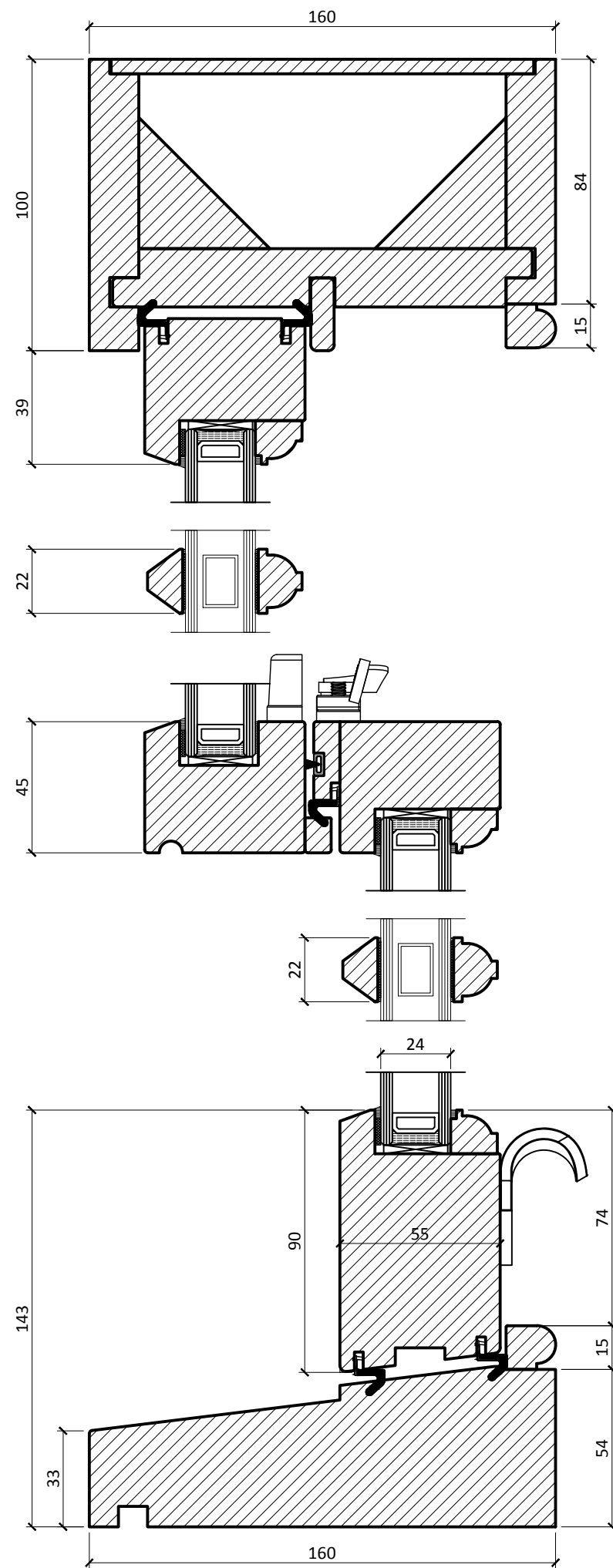
CONSTRUCTION DETAILS



Material	Manufactured in selected engineered laminated pine or hardwood, sourced from sustainable and managed forestry (FSC or PFEC certified)
Mechanism	Sashes are hung on cords or chains, operating over pulleys and counter balanced with lead weights
Weatherseal	The window is fully weather sealed to BS EN 6375-1 2009
Glazing	Windows are internally beaded with the external rebate up stand to give the appearance of putty glazing
Glass	The window is factory glazed with 24 mm thickness dual sealed units
Thermal Performance	Thermal performance is calculated by the standards of EN ISO 10077-1:2006 and typically this window achieves a U-value of 1.6 W/m ² K or better
Glazing Bars	Applied bars are used to achieve the slim section of traditional glazing bars. These are applied with double sided glazing tape to both faces of the sealed unit and capped with clear silicone
Cills	Manufactured in Hardwood with options of cill projections
Horns	Solid feature horns to top sashes are included as standard (See Drawing No H-001)
Fittings	A lockable Fitch fastener and two finger pulls to the bottom sash with options in colour and finish
Ventilation	A controllable trickle ventilator can be fitted to the window dependant on width of frame (See Drawing No BOX-160/09)
Restrictors	Restrictors which allows the opening of the sash to be restricted to 100mm is an option
Factory Finishing	To ensure the smooth operation and optimum performance of the window, we apply 3 coats of sprayed applied microporous water based paint system

TRC CONTRACTS Ltd
 Knoll House, Union Wharf,
 Market Harborough,
 Leicestershire LE16 7UW
 Tel: +44 (0)1858 469 225
 Fax: +44 (0)1858 469 249
 www.trcwindows.co.uk





PRODUCT TYPE

**TRADITIONAL BOX
SASH WINDOW**

TITLE

VERTICAL SECTION

DRAWING No.

BOX-160/02.1

DATE

2018/06/06

SCALE

1:2 @ A3

CONSTRUCTION DETAILS

TRC CONTRACTS Ltd
Knoll House, Union Wharf,
Market Harborough,
Leicestershire LE16 7UW
Tel: +44 (0)1858 469 225
Fax: +44 (0)1858 469 249
www.trcwindows.co.uk

TRC ARE AN ISO 9001 REGISTERED COMPANY



TRADITIONAL BOX SASH WINDOW

TITLE

HORIZONTAL SECTION

DRAWING No.

BOX-160/03.1

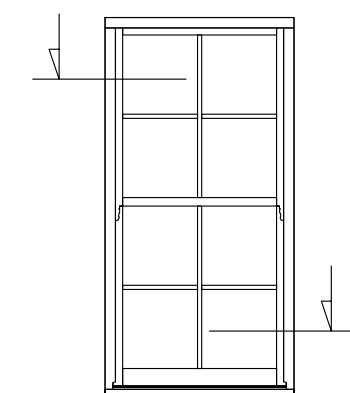
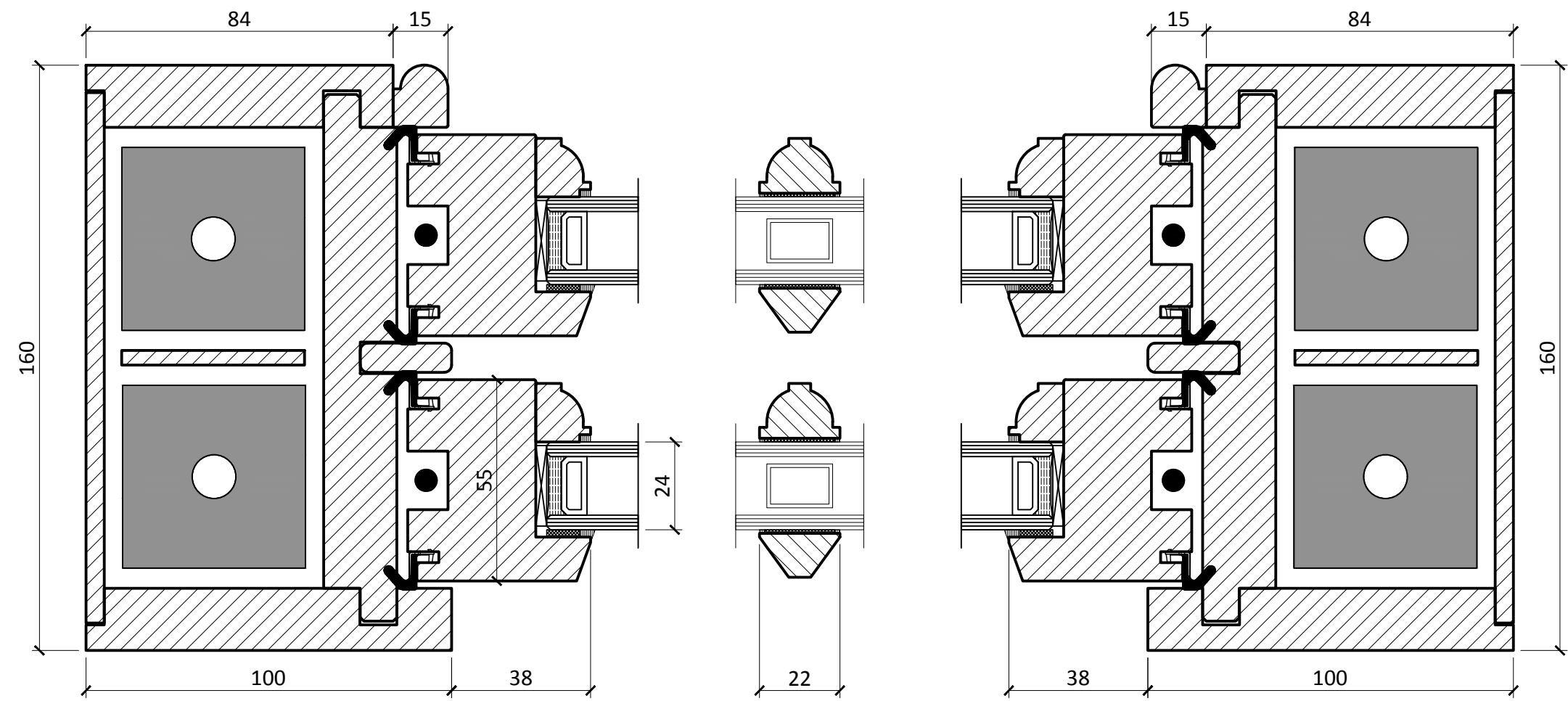
DATE

2018/06/06

SCALE

1:1.5 @ A3

CONSTRUCTION DETAILS



TRC CONTRACTS Ltd
 Knoll House, Union Wharf,
 Market Harborough,
 Leicestershire LE16 7UW
 Tel: +44 (0)1858 469 225
 Fax: +44 (0)1858 469 249
 www.trcwindows.co.uk

TRC ARE AN ISO 9001 REGISTERED COMPANY



TRADITIONAL BOX SASH WINDOW

TITLE

GLAZING BAR AND BEAD OPTIONS

DRAWING No.

BOX-160/04.1

DATE

2018/06/06

SCALE

1:1 @ A3

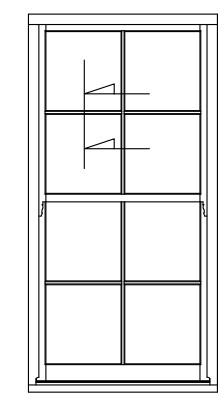
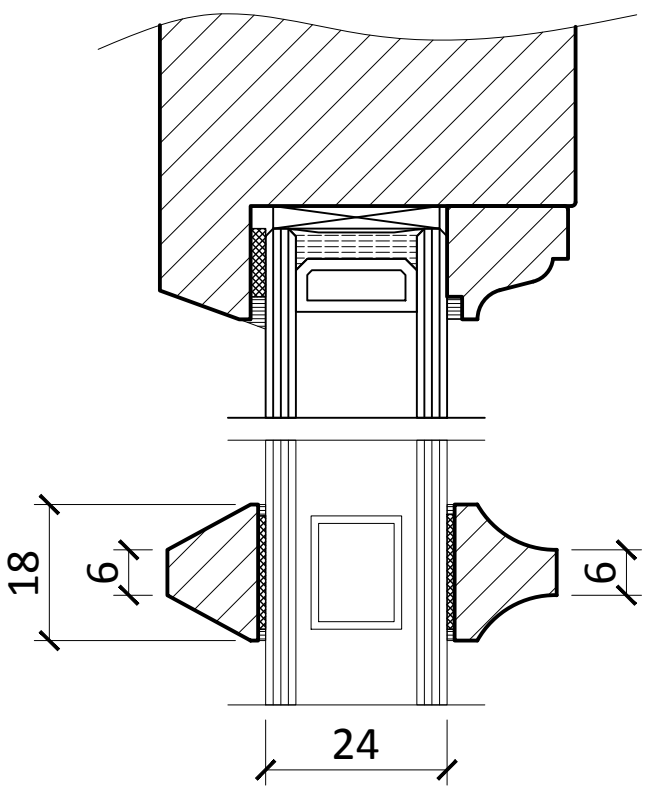
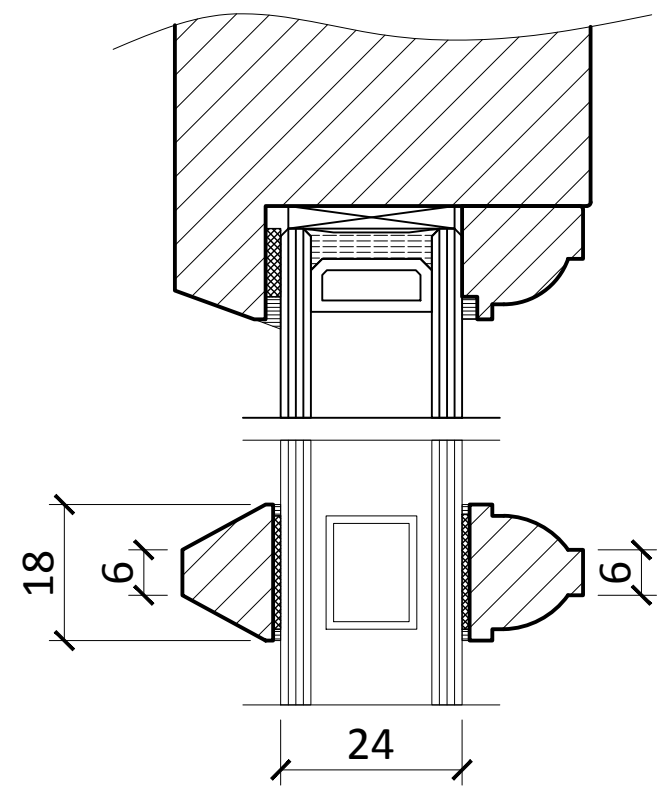
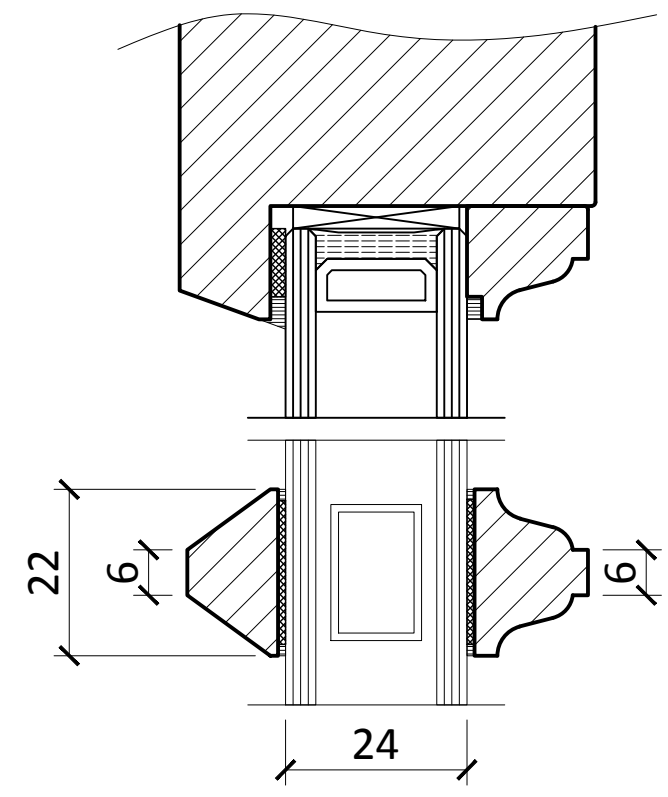
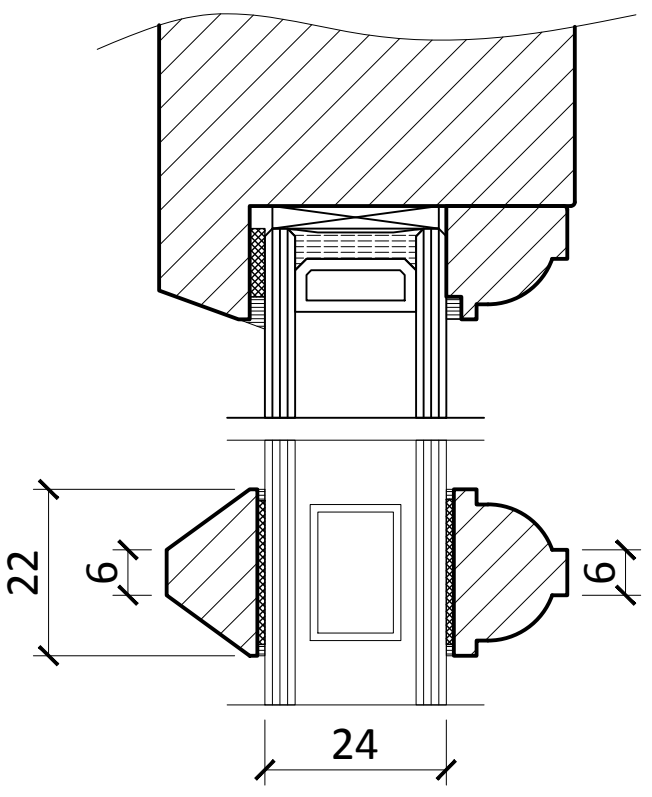
CONSTRUCTION DETAILS

Ovolo Profile 1

Lambs Tongue Profile 1

Ovolo Profile 2

Lambs Tongue Profile 2



TRC CONTRACTS Ltd
 Knoll House, Union Wharf,
 Market Harborough,
 Leicestershire LE16 7UW
 Tel: +44 (0)1858 469 225
 Fax: +44 (0)1858 469 249
 www.trcwindows.co.uk



TRADITIONAL BOX SASH WINDOW

TITLE

MULLION DETAIL

DRAWING No.

BOX-160/05.1

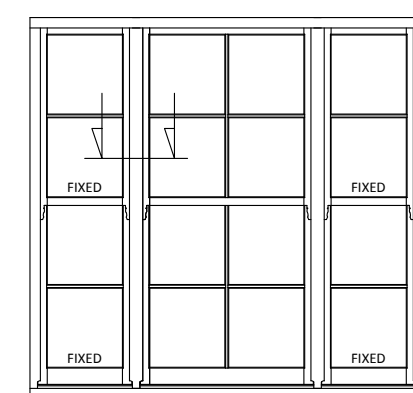
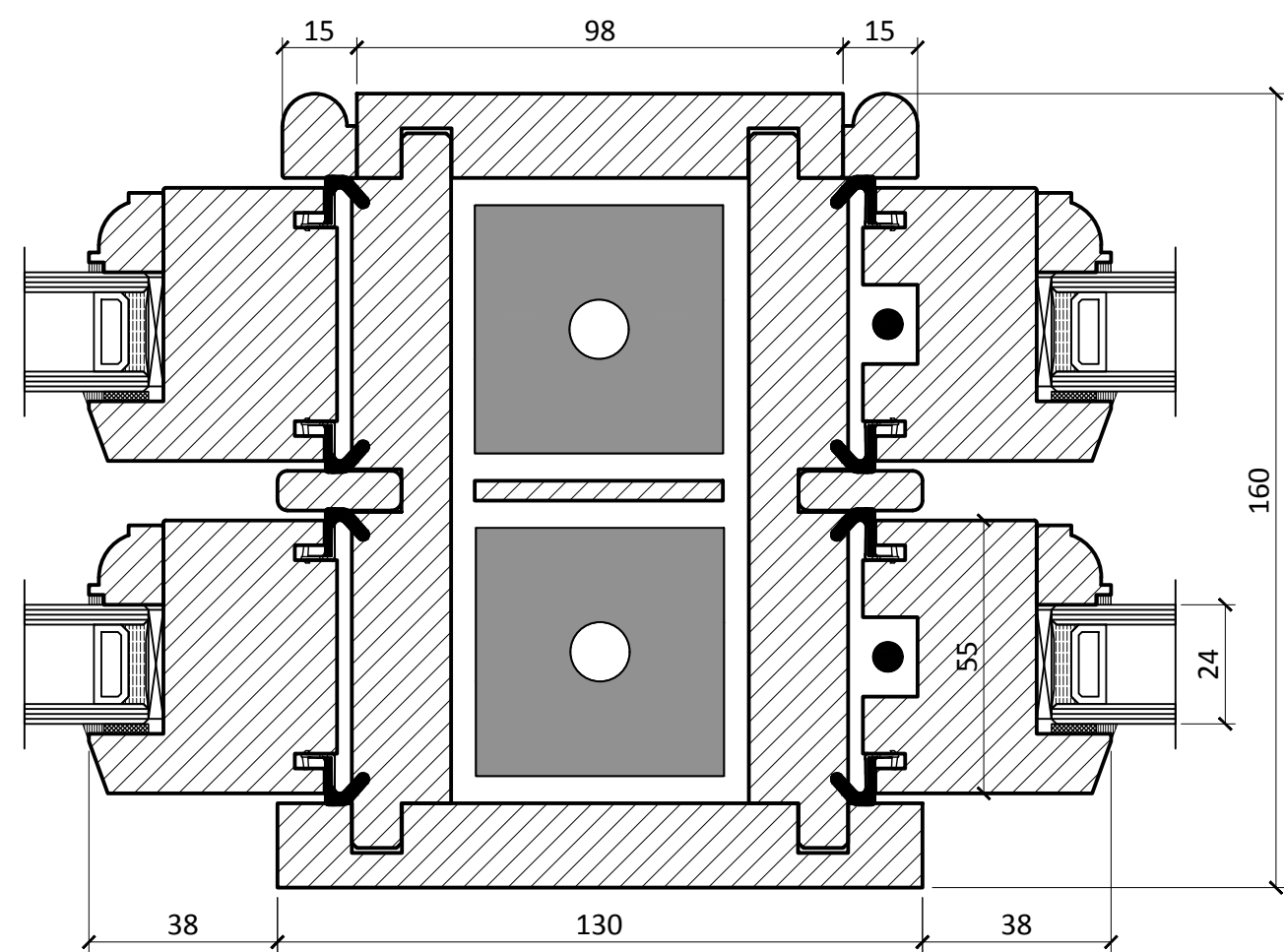
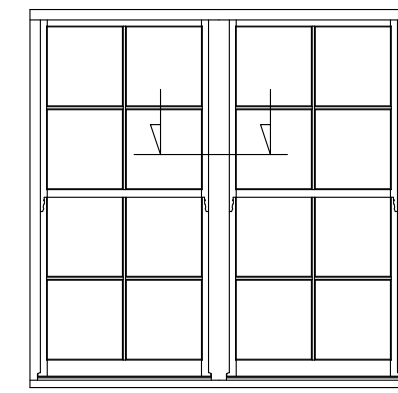
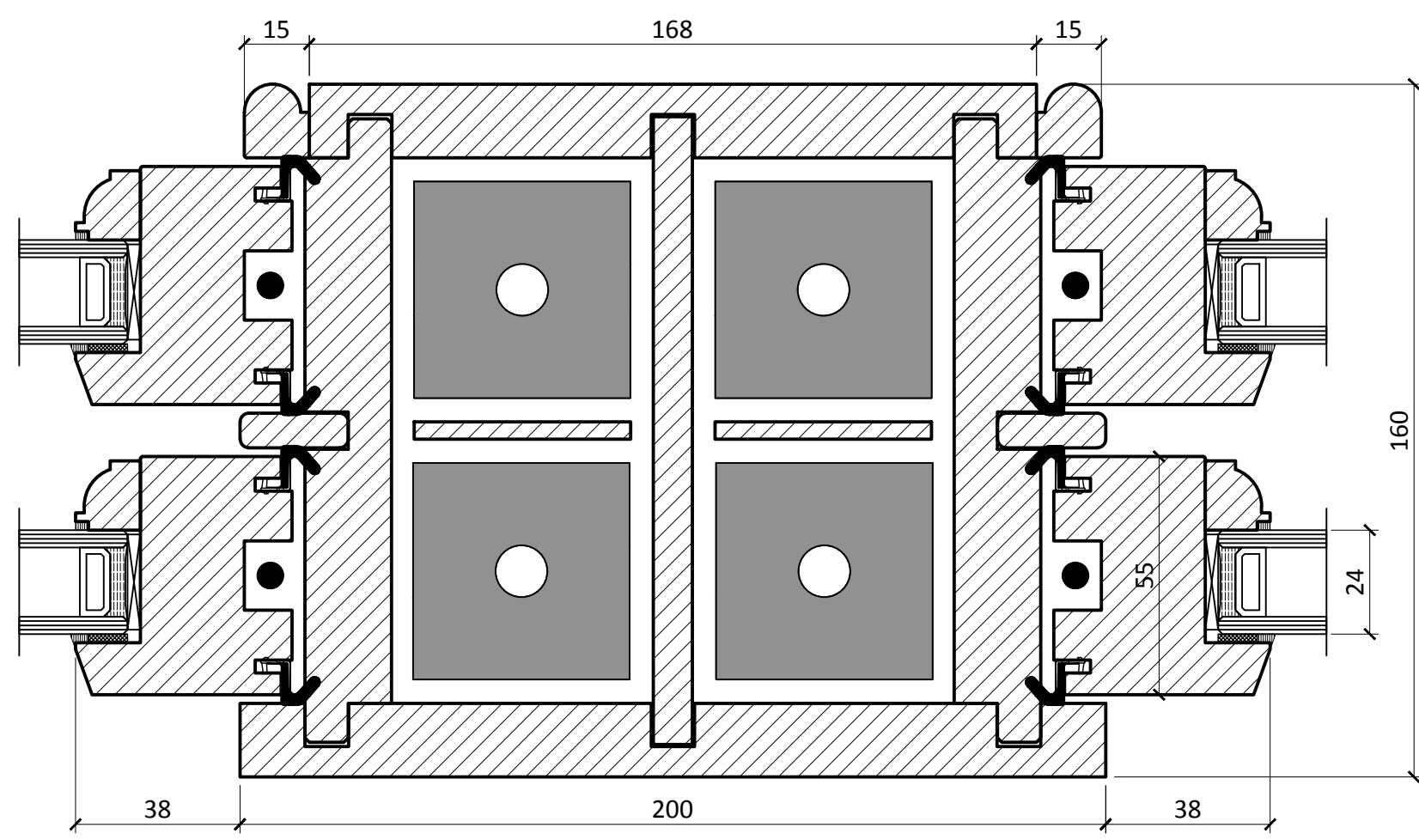
DATE

2018/06/06

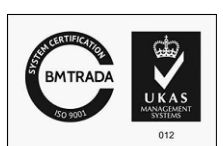
SCALE

1:1.5 @ A3

CONSTRUCTION DETAILS



TRC ARE AN ISO 9001 REGISTERED COMPANY



TRC CONTRACTS Ltd
 Knoll House, Union Wharf,
 Market Harborough,
 Leicestershire LE16 7UW
 Tel: +44 (0)1858 469 225
 Fax: +44 (0)1858 469 249
www.trcwindows.co.uk



TRADITIONAL BOX SASH WINDOW

TITLE

CILL EXTENSION OPTIONS

DRAWING No.

BOX-160/06

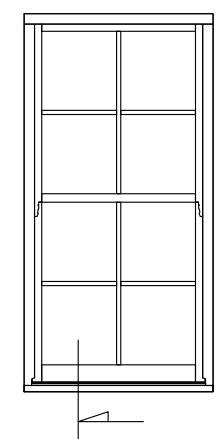
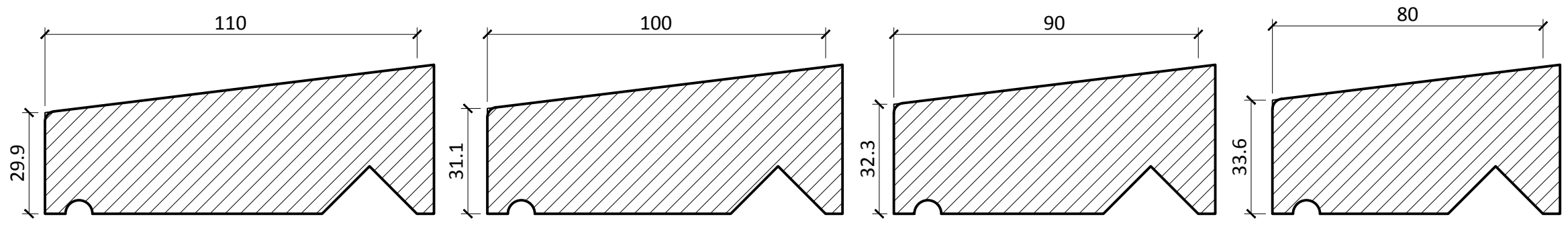
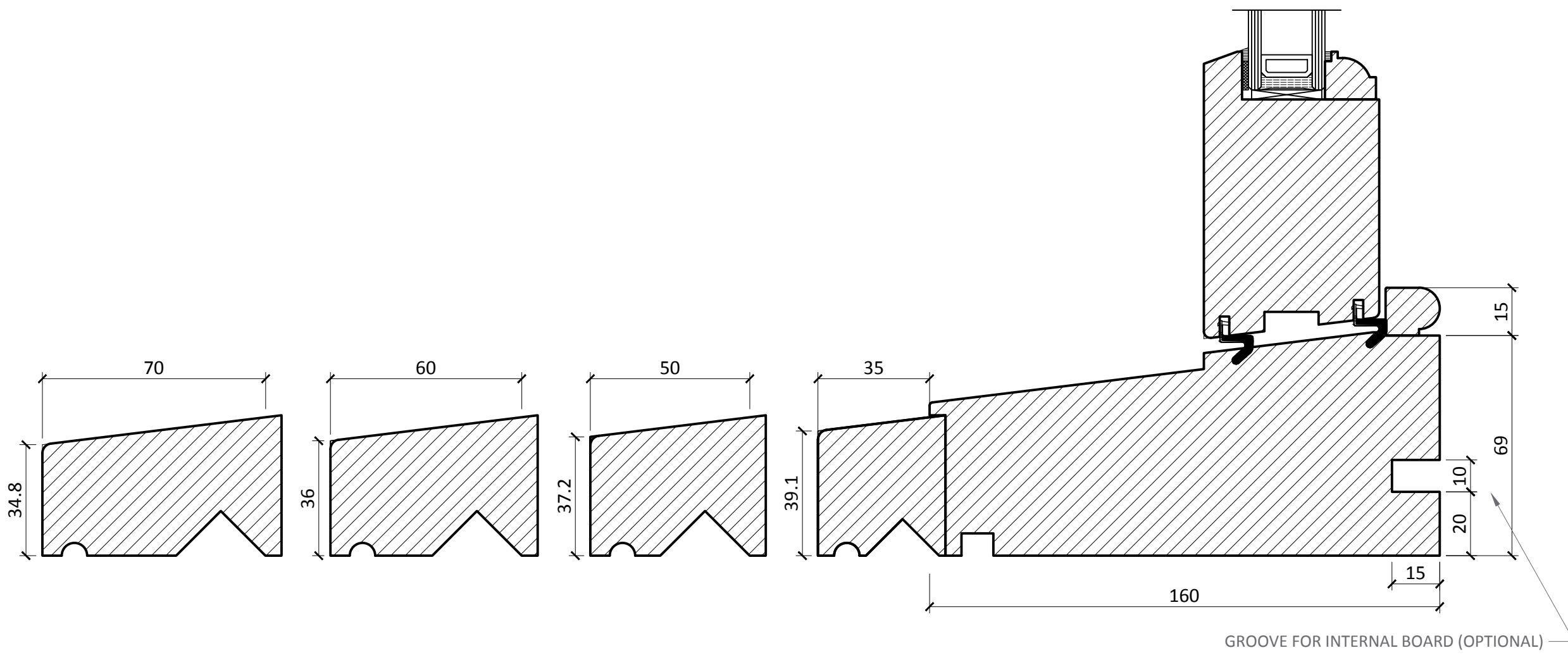
DATE

2018/06/06

SCALE

1:1.5 @ A3

CONSTRUCTION DETAILS

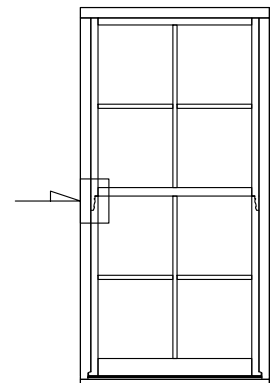
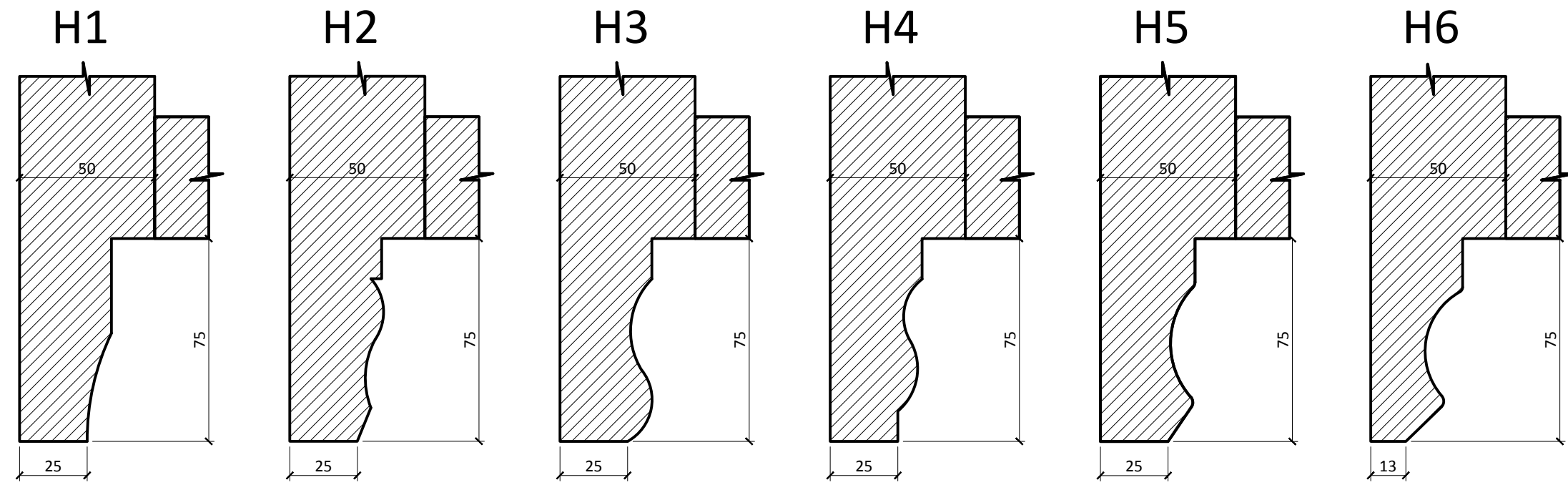


TRC CONTRACTS Ltd
 Knoll House, Union Wharf,
 Market Harborough,
 Leicestershire LE16 7UW
 Tel: +44 (0)1858 469 225
 Fax: +44 (0)1858 469 249
 www.trcwindows.co.uk

TRC ARE AN ISO 9001 REGISTERED COMPANY



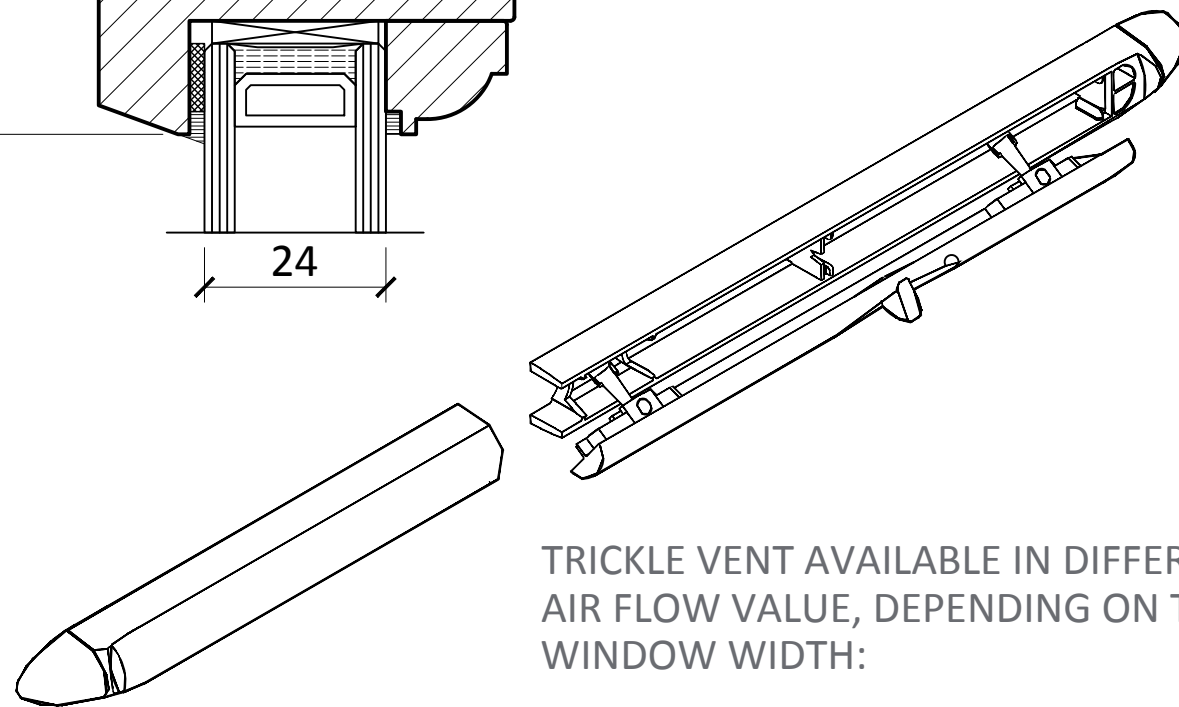
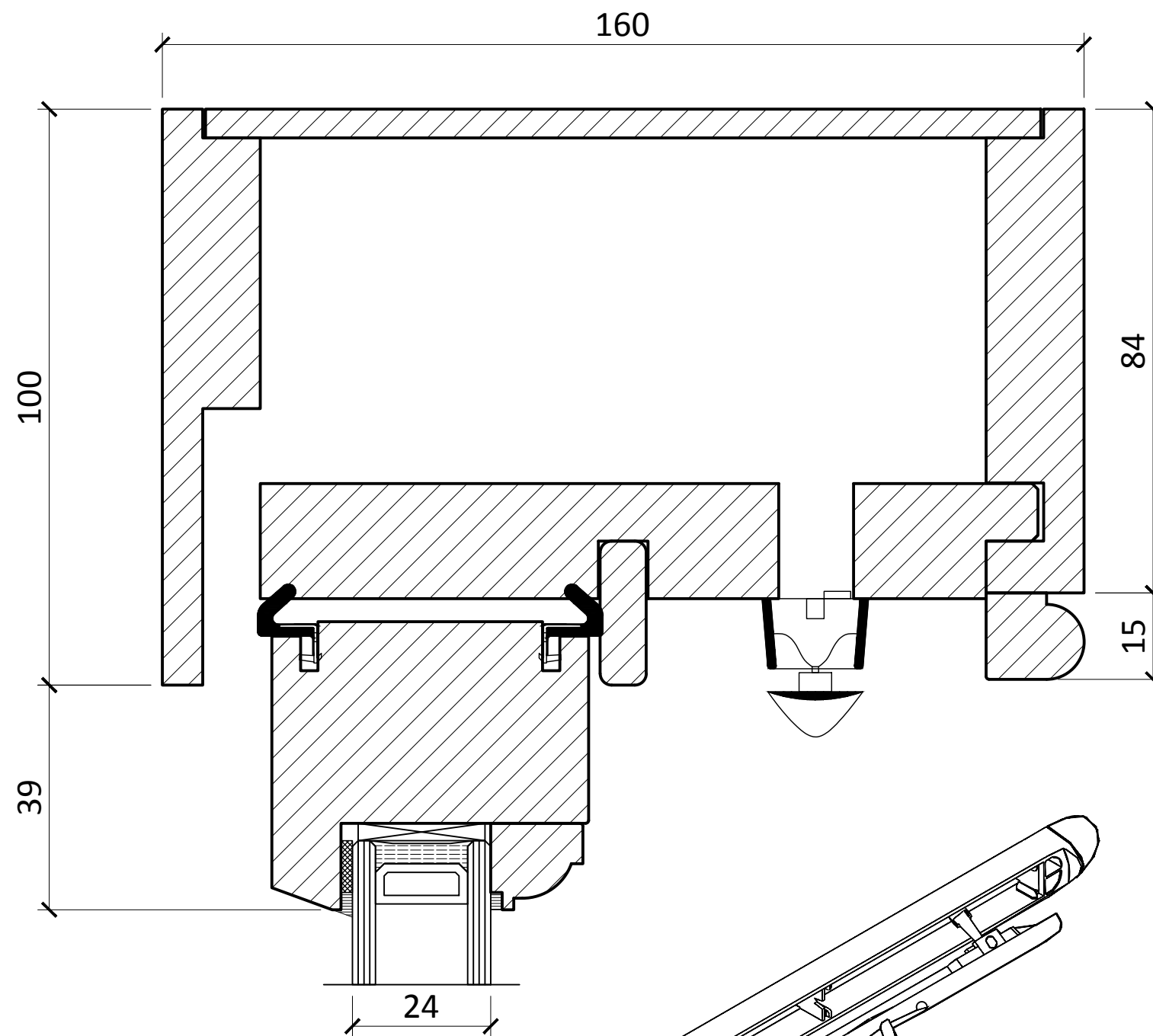
PRODUCT TYPE	
TRADITIONAL BOX SASH WINDOW	
TITLE	
SASH HORN OPTIONS	
DRAWING No.	
H-001	
DATE	SCALE
2018/06/06	1:2 @ A3
CONSTRUCTION DETAILS	



TRC CONTRACTS Ltd
 Knoll House, Union Wharf,
 Market Harborough,
 Leicestershire LE16 7UW
 Tel: +44 (0)1858 469 225
 Fax: +44 (0)1858 469 249
 www.trcwindows.co.uk

TRC ARE AN ISO 9001 REGISTERED COMPANY



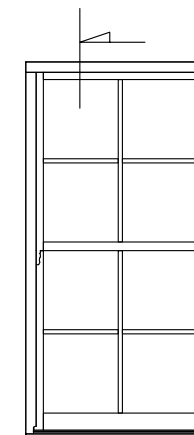


TRICKLE VENT AVAILABLE IN DIFFERENT AIR FLOW VALUE, DEPENDING ON THE WINDOW WIDTH:

* - 1700 mm² EA

* - 4400 mm² EA

* - 5000 mm² EA



PRODUCT TYPE

TRADITIONAL BOX SASH WINDOW

TITLE

CONCEALED TRICKLE VENT

DRAWING No.

BOX-160/07

DATE

2018/06/06

SCALE

1:1 @ A3

CONSTRUCTION DETAILS

TRC CONTRACTS Ltd
Knoll House, Union Wharf,
Market Harborough,
Leicestershire LE16 7UW
Tel: +44 (0)1858 469 225
Fax: +44 (0)1858 469 249
www.trcwindows.co.uk

TRC ARE AN ISO 9001 REGISTERED COMPANY

