

**ALUMINIUM CLAD
HORIZONTAL PIVOT
WINDOW**

TITLE

ELEVATION DRAWING

DRAWING No.

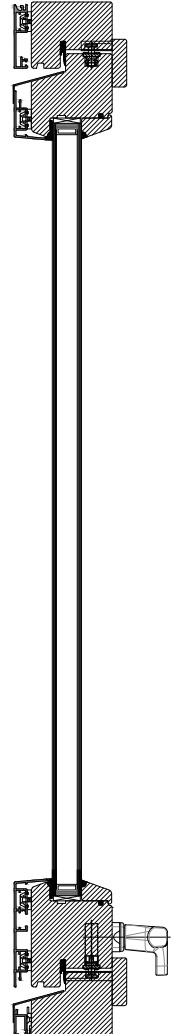
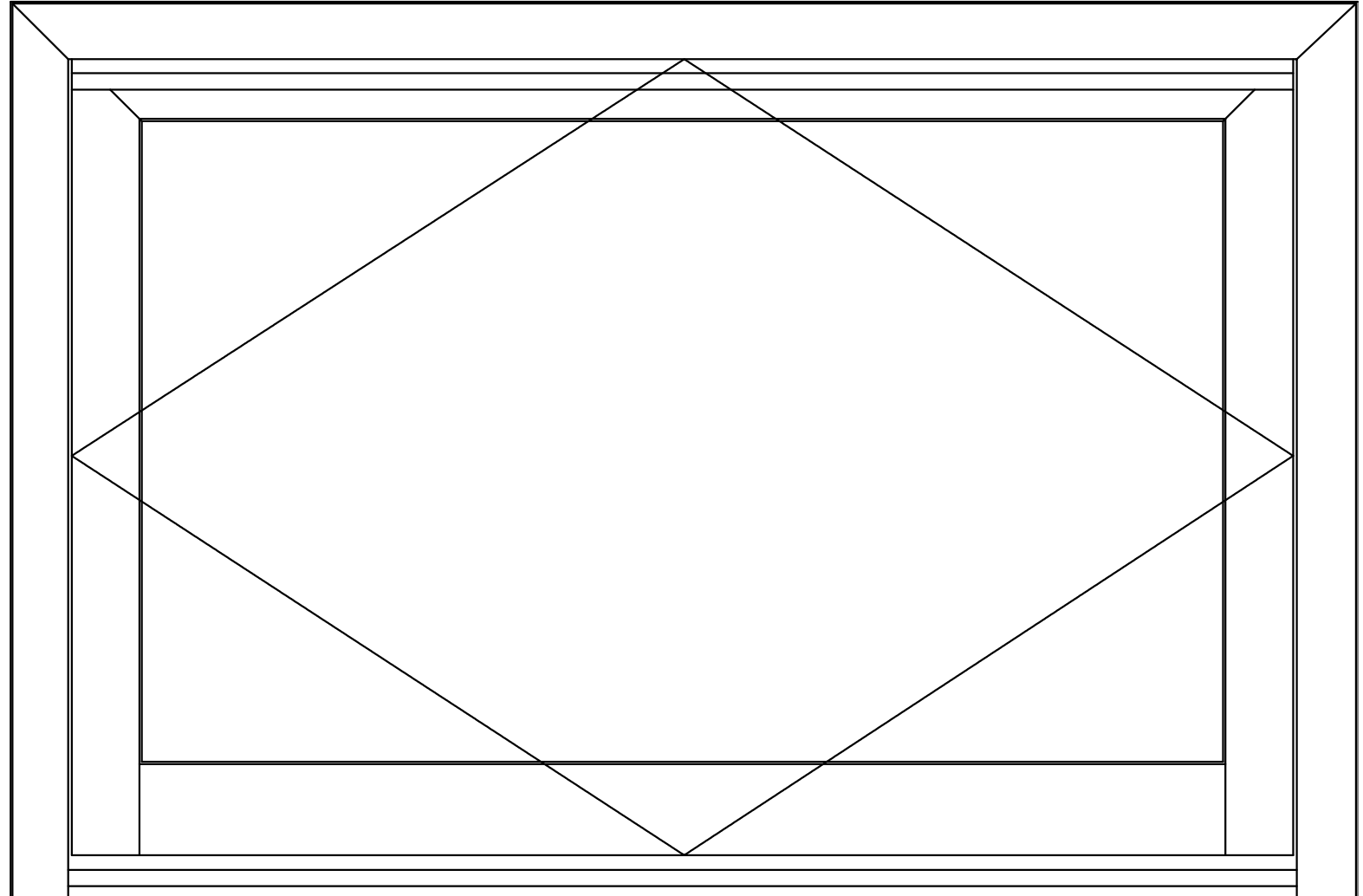
HP-A-78/01

DATE

2020/11/17

SCALE

CONSTRUCTION DETAILS



Material	Manufactured in selected engineered laminated pine or hardwood, sourced from sustainable and managed forestry (FSC or PFEC certified)
Aluminium cladding	External aluminium cladding available in full RAL colour range, provides weather resistance and easy maintenance
Mechanism	Sashes are hung and operated on the pivot hinges, which allow window to be fully reversed for easy cleaning. Hinges are designed to take sash up to 3 meters wide and up to 300 kg weight
Weatherseal	The window is fully weather sealed to BS EN 6375-1 2009
Glass	The window is factory glazed and can take dual or triple sealed units up to 48mm thickness
Thermal Performance	Thermal performance is calculated by the standards of EN ISO 10077-1:2006 and this window achieves a U-value from 1.3 W/m ² K down to 0.8 W/m ² K
Glazing Bars	Applied bars are used to achieve the slim section of traditional glazing bars. These are applied with double sided glazing tape to both faces of the sealed unit and capped with clear silicone
Cill extensions	Manufactured from extruded aluminium with options of cill projections and end caps
Fittings	A locking casement fastener to each operable sash with options in colour and finish
Restrictors	Restrictors which allows the opening of the sash to be restricted to 100mm is an option
Factory Finishing	To ensure the smooth operation and optimum performance of the window, we apply 3 coats of sprayed applied microporous water based paint system

TRC CONTRACTS Ltd
Knoll House, Union Wharf,
Market Harborough,
Leicestershire LE16 7UW
Tel: +44 (0)1858 469 225
Fax: +44 (0)1858 469 249
www.trcwindows.co.uk



TRC ARE AN ISO 9001 REGISTERED COMPANY



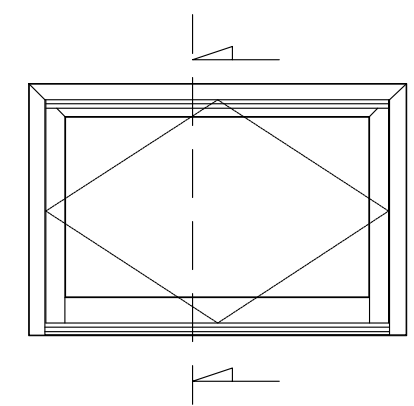
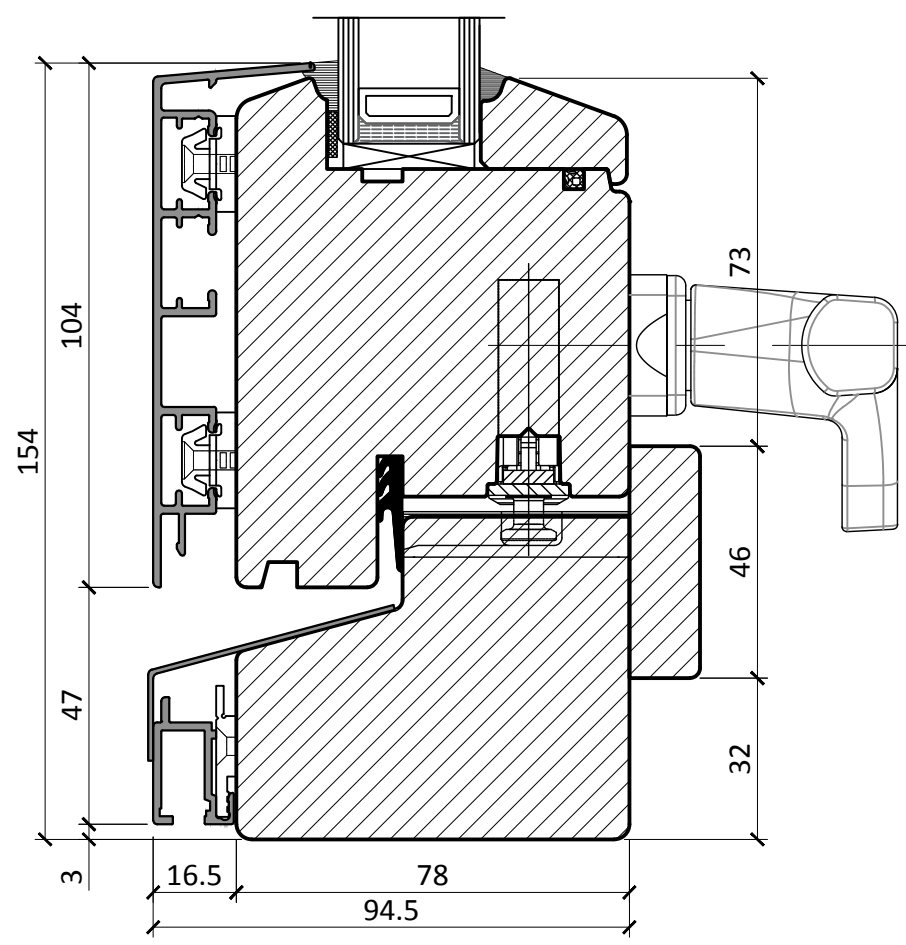
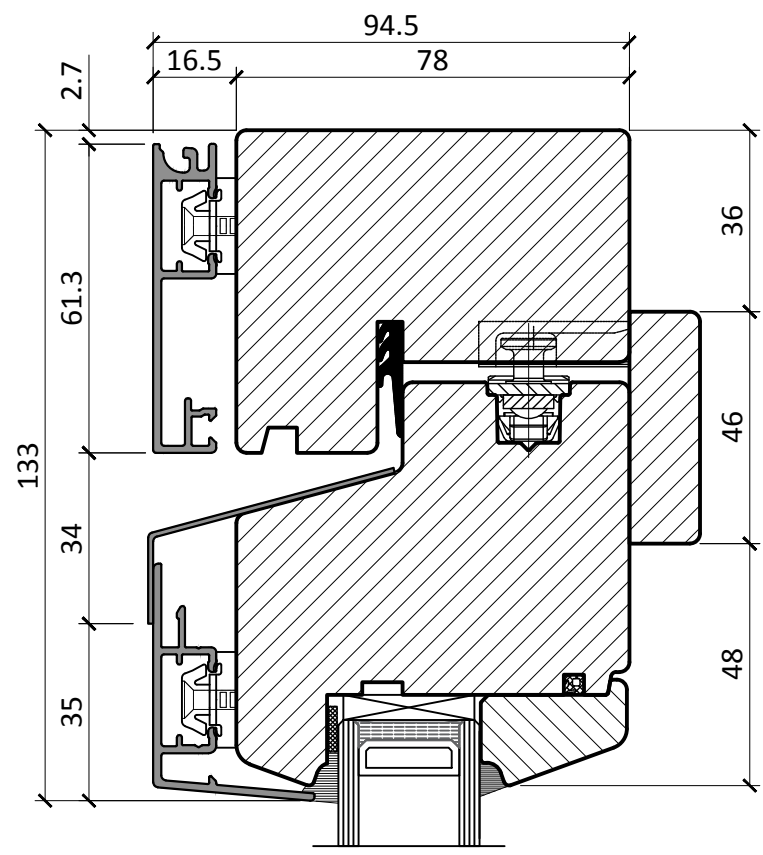
PRODUCT TYPE
**ALUMINIUM CLAD
 HORIZONTAL PIVOT
 WINDOW**

TITLE
VERTICAL SECTION

DRAWING No.
HP-A-78/02

DATE	SCALE
2020/11/17	1:1.5 @ A3

CONSTRUCTION DETAILS



TRC ARE AN ISO 9001 REGISTERED COMPANY



TRC CONTRACTS Ltd
 Knoll House, Union Wharf,
 Market Harborough,
 Leicestershire LE16 7UW
 Tel: +44 (0)1858 469 225
 Fax: +44 (0)1858 469 249
www.trcwindows.co.uk



PRODUCT TYPE
**ALUMINIUM CLAD
 HORIZONTAL PIVOT
 WINDOW**

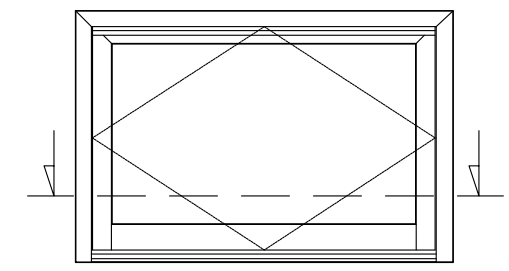
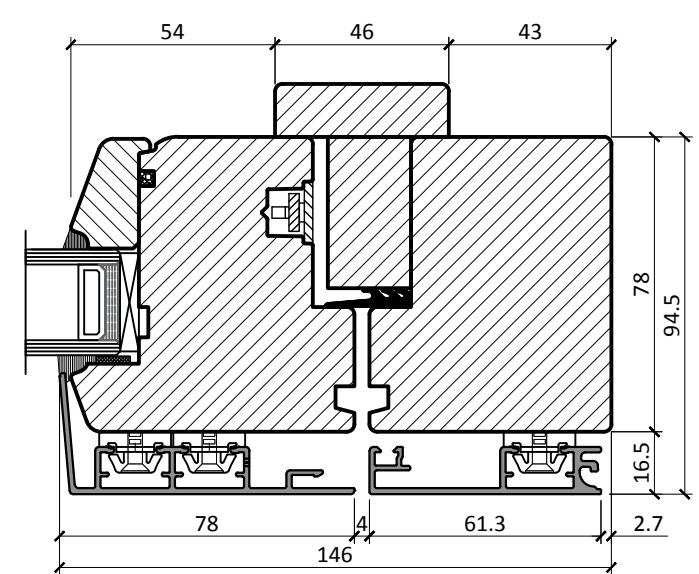
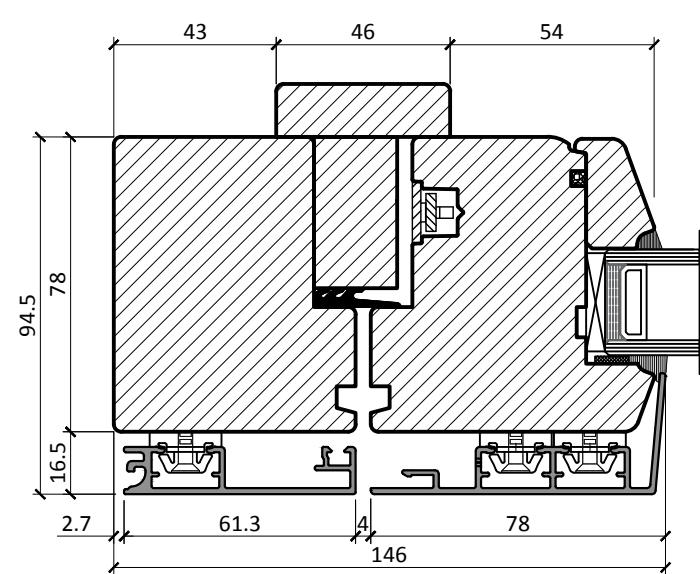
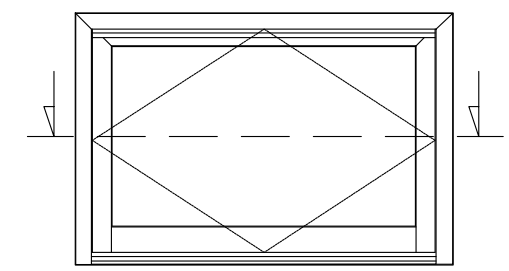
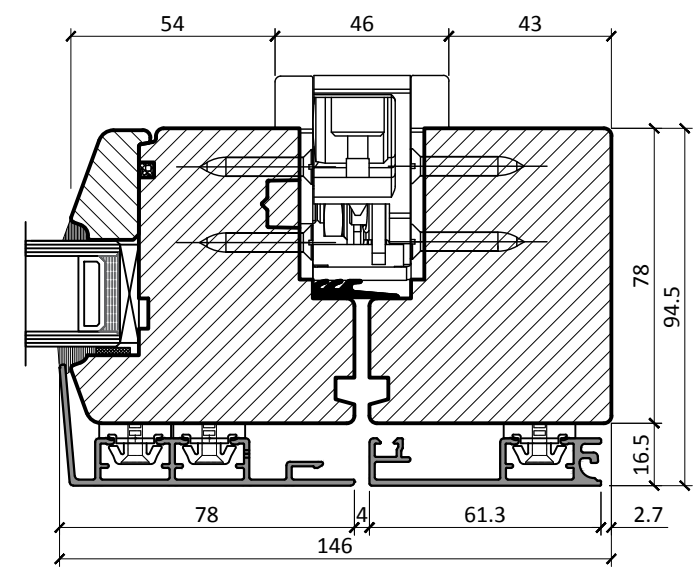
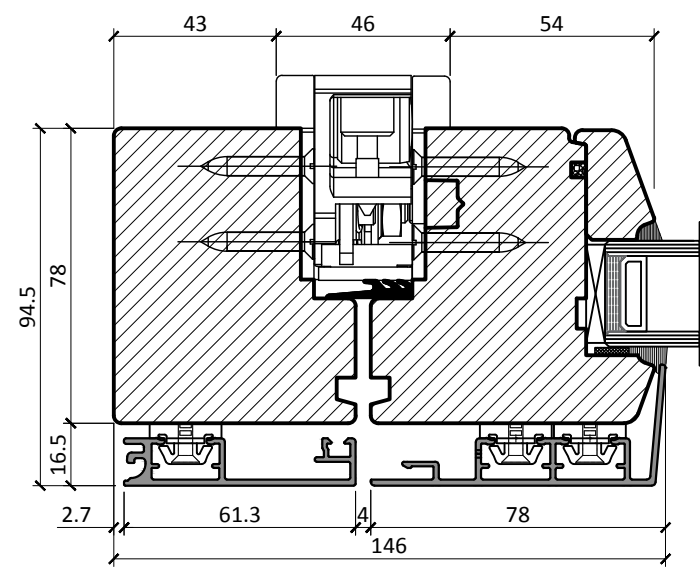
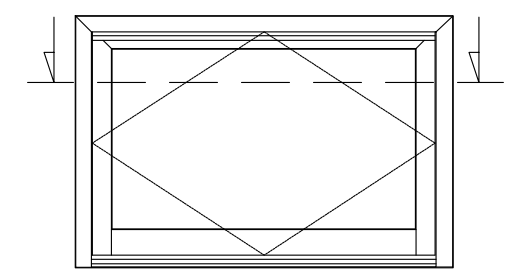
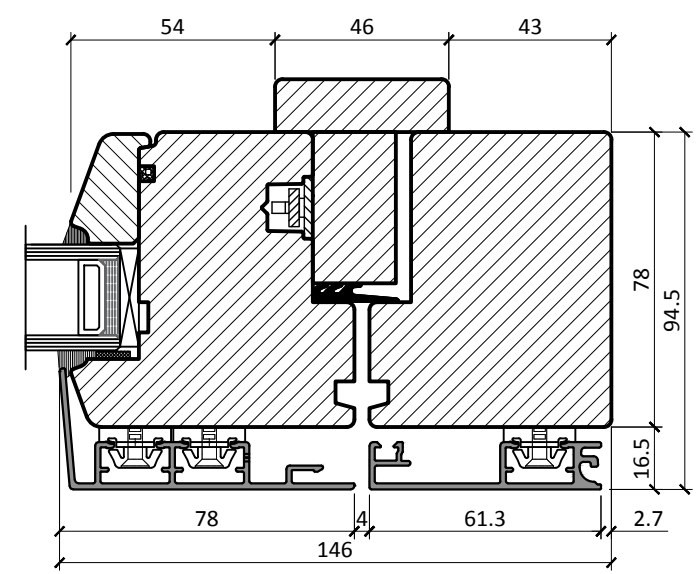
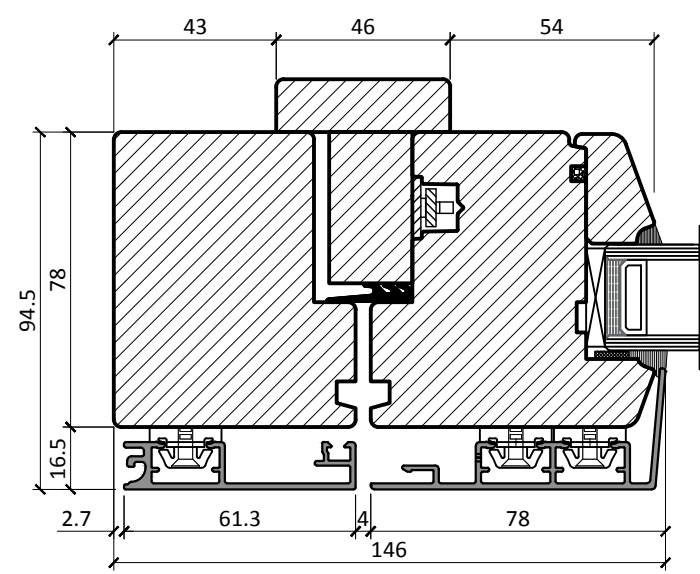
TITLE
HORIZONTAL SECTION

DRAWING No.
HP-A-78/03

DATE
2020/11/17

SCALE
1:2 @ A3

CONSTRUCTION DETAILS



TRC CONTRACTS Ltd
 Knoll House, Union Wharf,
 Market Harborough,
 Leicestershire LE16 7UW
 Tel: +44 (0)1858 469 225
 Fax: +44 (0)1858 469 249
 www.trcwindows.co.uk

TRC ARE AN ISO 9001 REGISTERED COMPANY

