

**FRENCH & SINGLE  
TIMBER DOOR**

TITLE

**ELEVATION DRAWING**

DRAWING No.

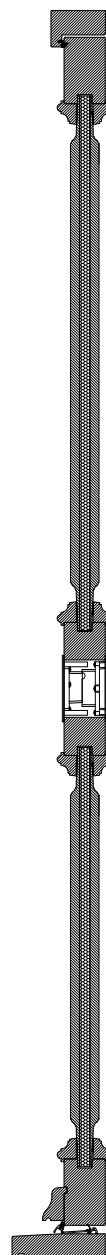
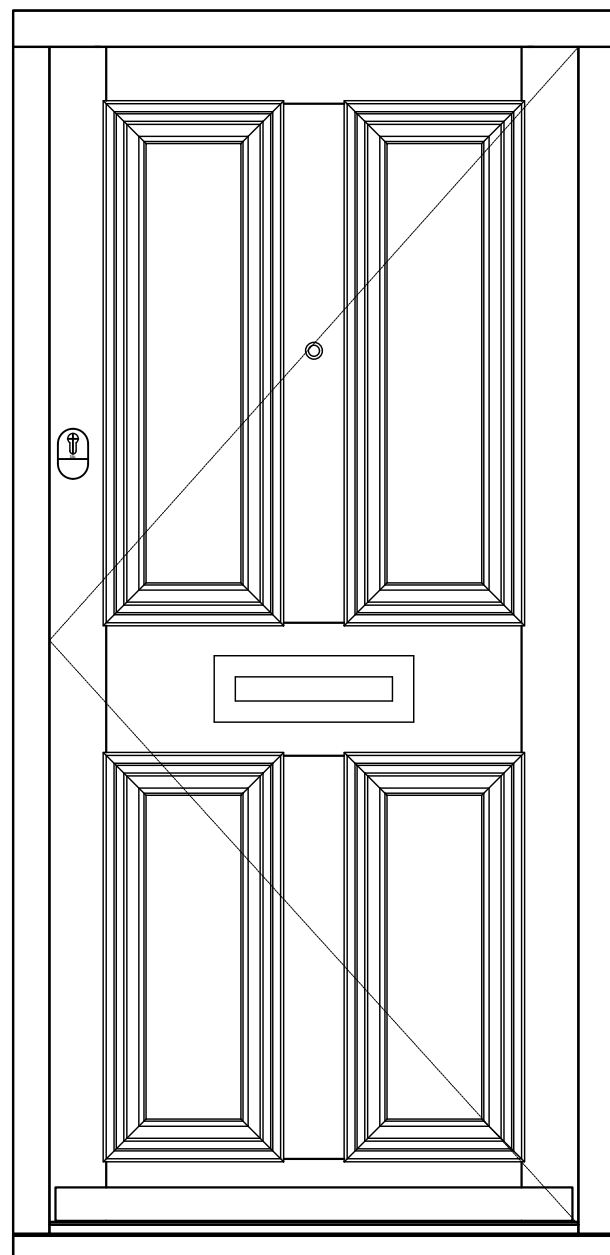
**FD-W-90/01**

DATE

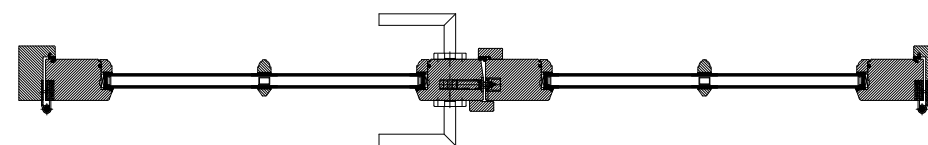
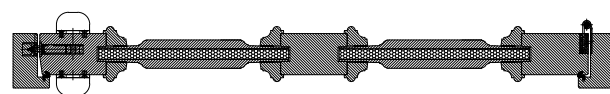
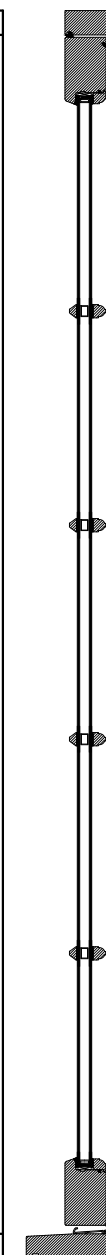
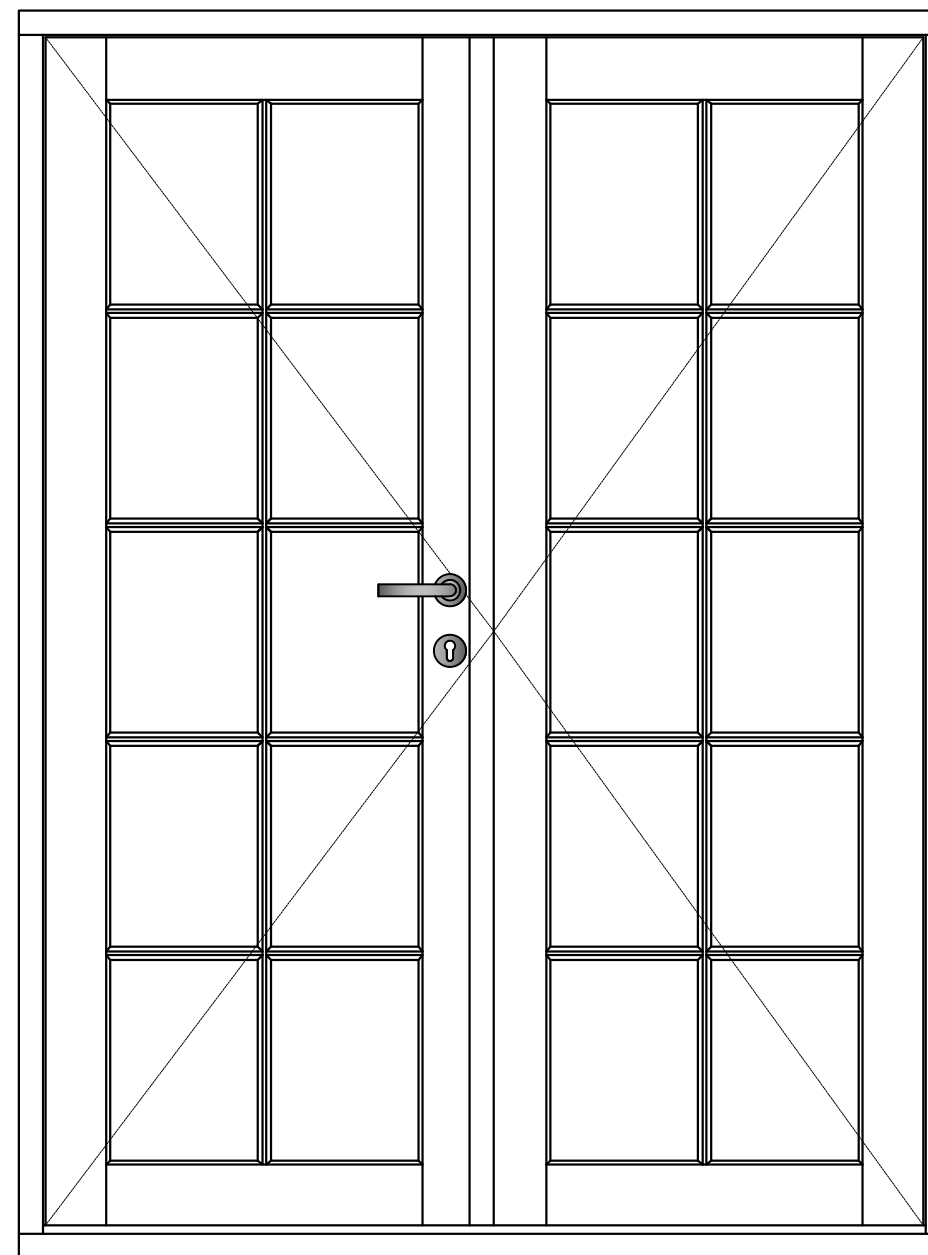
**2020/11/17**

SCALE

CONSTRUCTION DETAILS



|                     |   |
|---------------------|---|
| Material            | Manufactured in selected engineered laminated pine or hardwood, sourced from sustainable and managed forestry (FSC or PFEC certified)   |
| Mechanism           | The door leaf is hung on the 3D adjustable door hinges and locked by multipoint lock  |
| Security (optional) | Fully tested to Secure by design standards PAS 24:2012  |
| Weatherseal         | The door is fully weather sealed to BS EN 6375-1 2009   |
| Glass               | The door is factory glazed and can take dual or triple sealed units up to 32mm thickness  |
| Thermal Performance | Thermal performance is calculated by the standards of EN ISO 10077-1:2006 and typically this door achieves a U-value of 1.6 W/m <sup>2</sup> K or better  |
| Glazing Bars        | Applied bars are used to achieve the slim section of traditional glazing bars. These are applied with double sided glazing tape to both faces of the sealed unit and capped with clear silicone |
| Cills               | Manufactured in Hardwood with aluminium threshold   |
| Fittings            | Door lever or pull handles with options in colour and finish  |
| Letter plates       | Weather sealed letter plate with options in colour and finish   |
| Factory Finishing   | To ensure the smooth operation and optimum performance of the door, we apply 3 coats of sprayed applied microporous water based paint system  |



TRC CONTRACTS Ltd  
Knoll House, Union Wharf,  
Market Harborough,  
Leicestershire LE16 7UW  
Tel: +44 (0)1858 469 225  
Fax: +44 (0)1858 469 249  
www.trcwindows.co.uk

TRC ARE AN ISO 9001 REGISTERED COMPANY



# FRENCH & SINGLE TIMBER DOOR

TITLE

## SINGLE DOOR SECTIONS

DRAWING No.

### HD-W-90/02

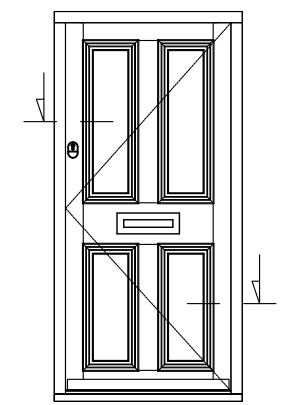
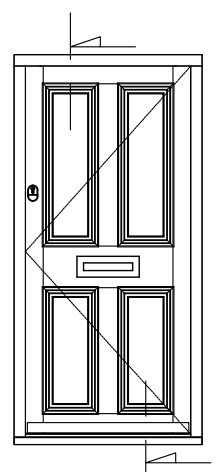
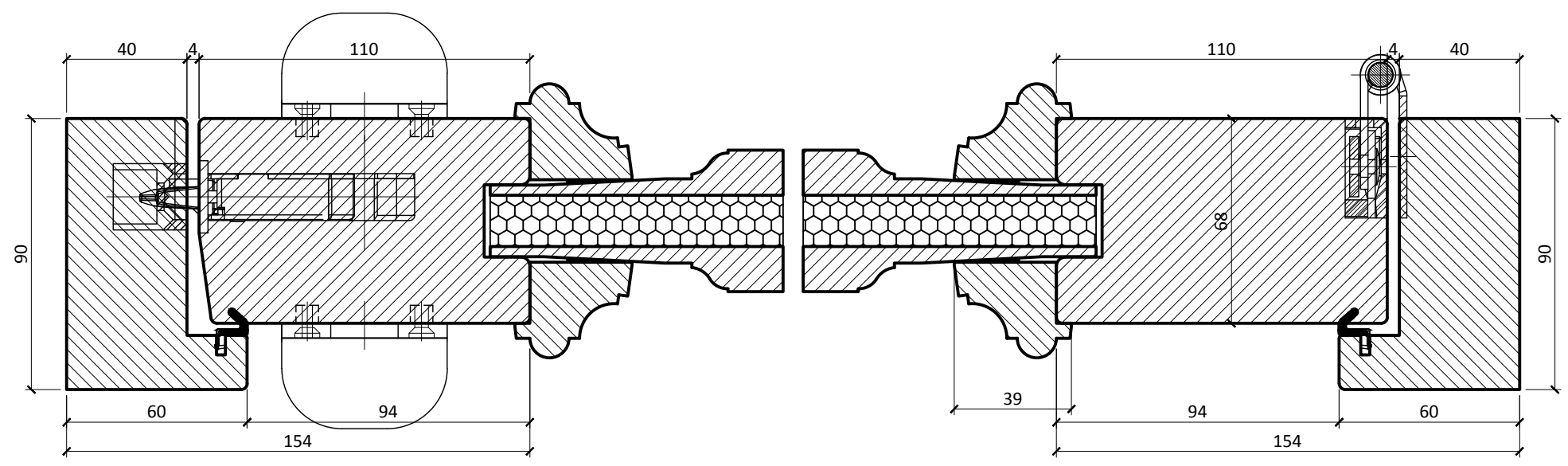
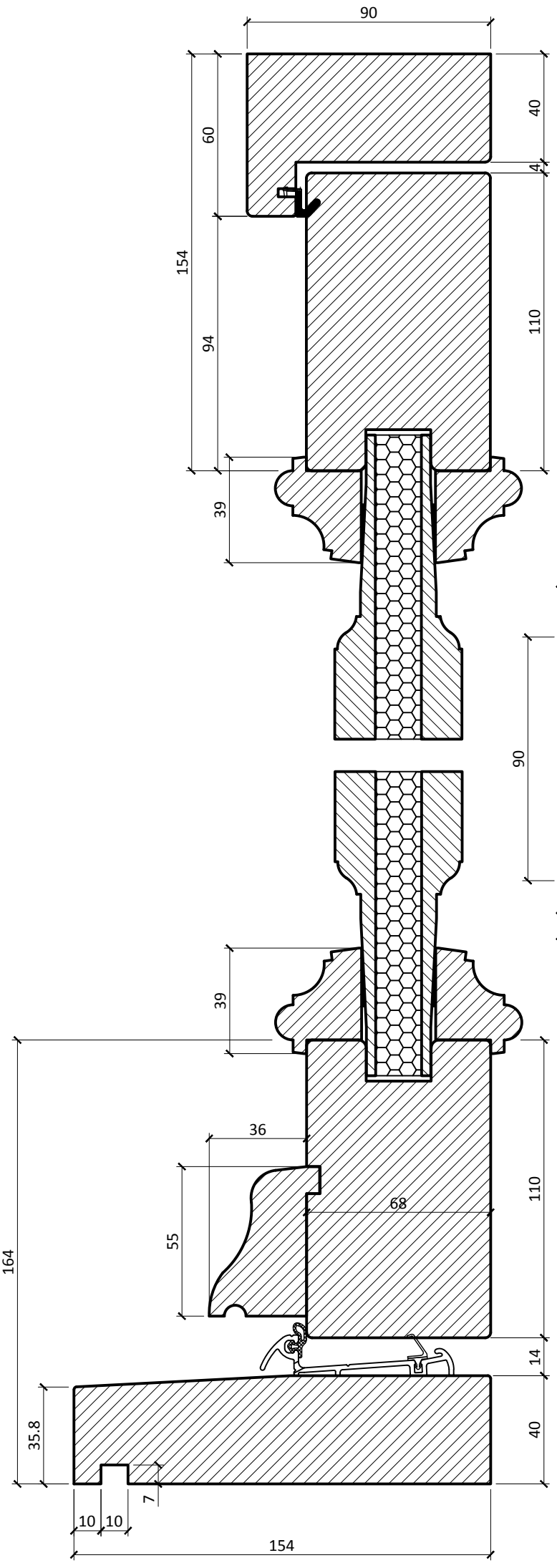
DATE

2020/11/17

SCALE

1:2 @ A3

CONSTRUCTION DETAILS



TRC ARE AN ISO 9001 REGISTERED COMPANY



TRC CONTRACTS Ltd  
 Knoll House, Union Wharf,  
 Market Harborough,  
 Leicestershire LE16 7UW  
 Tel: +44 (0)1858 469 225  
 Fax: +44 (0)1858 469 249  
 www.trcwindows.co.uk



# FRENCH & SINGLE TIMBER DOOR

TITLE

## FRENCH DOOR SECTIONS

DRAWING No.

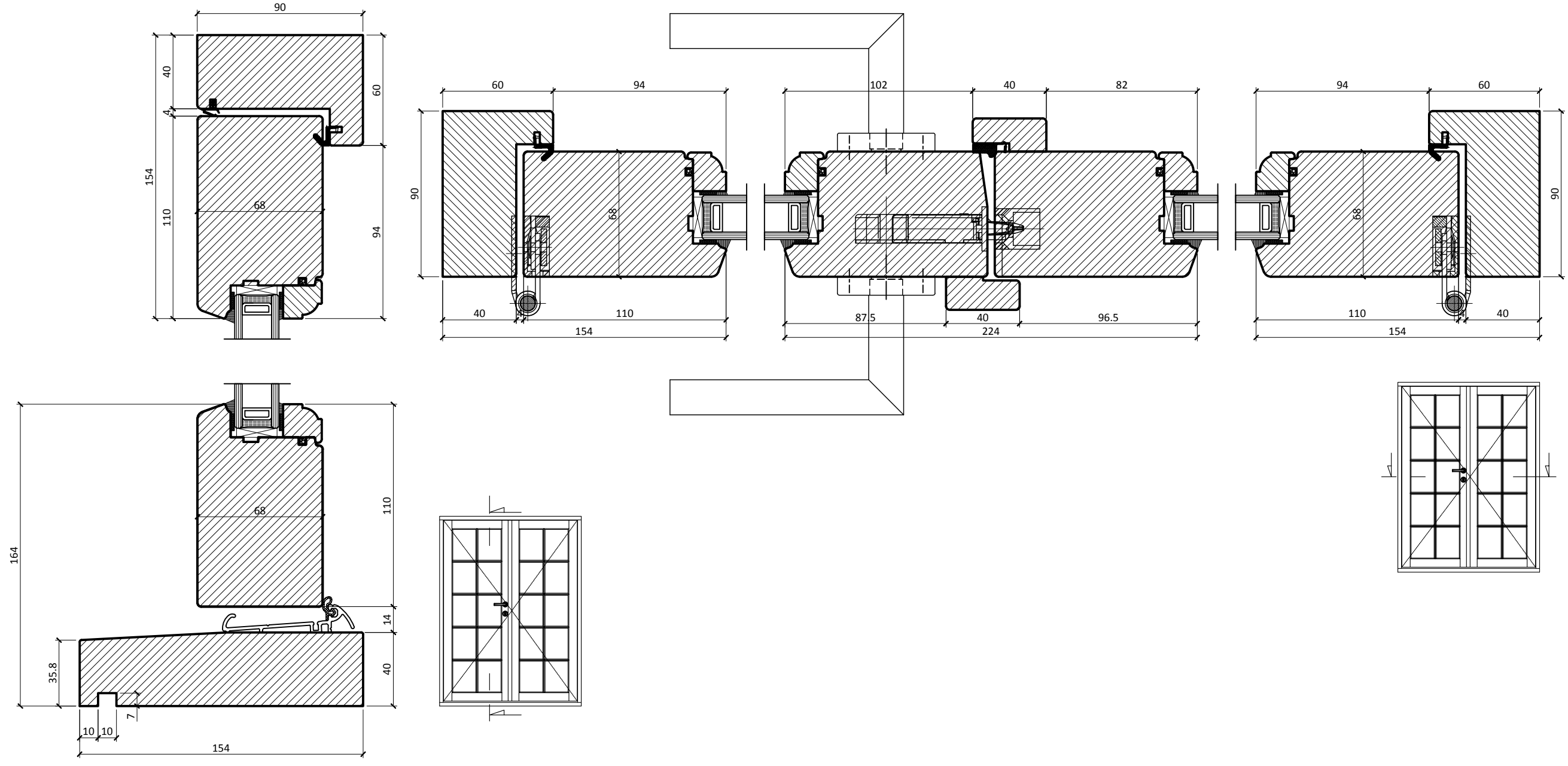
### HD-W-90/03

DATE

2020/11/17

SCALE

CONSTRUCTION DETAILS



TRC CONTRACTS Ltd  
 Knoll House, Union Wharf,  
 Market Harborough,  
 Leicestershire LE16 7UW  
 Tel: +44 (0)1858 469 225  
 Fax: +44 (0)1858 469 249  
 www.trcwindows.co.uk

TRC ARE AN ISO 9001 REGISTERED COMPANY



**FRENCH & SINGLE  
TIMBER DOOR**

TITLE

**DOOR SASH  
DESIGN OPTIONS**

DRAWING No.

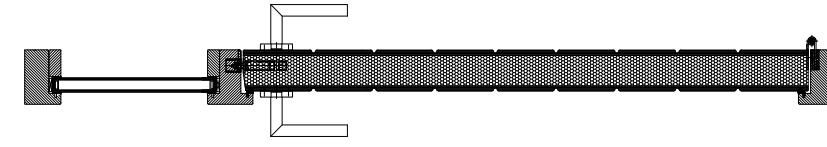
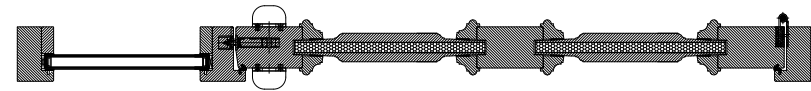
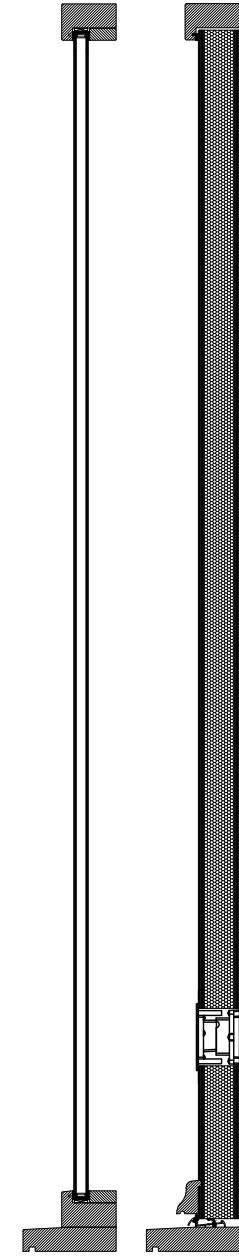
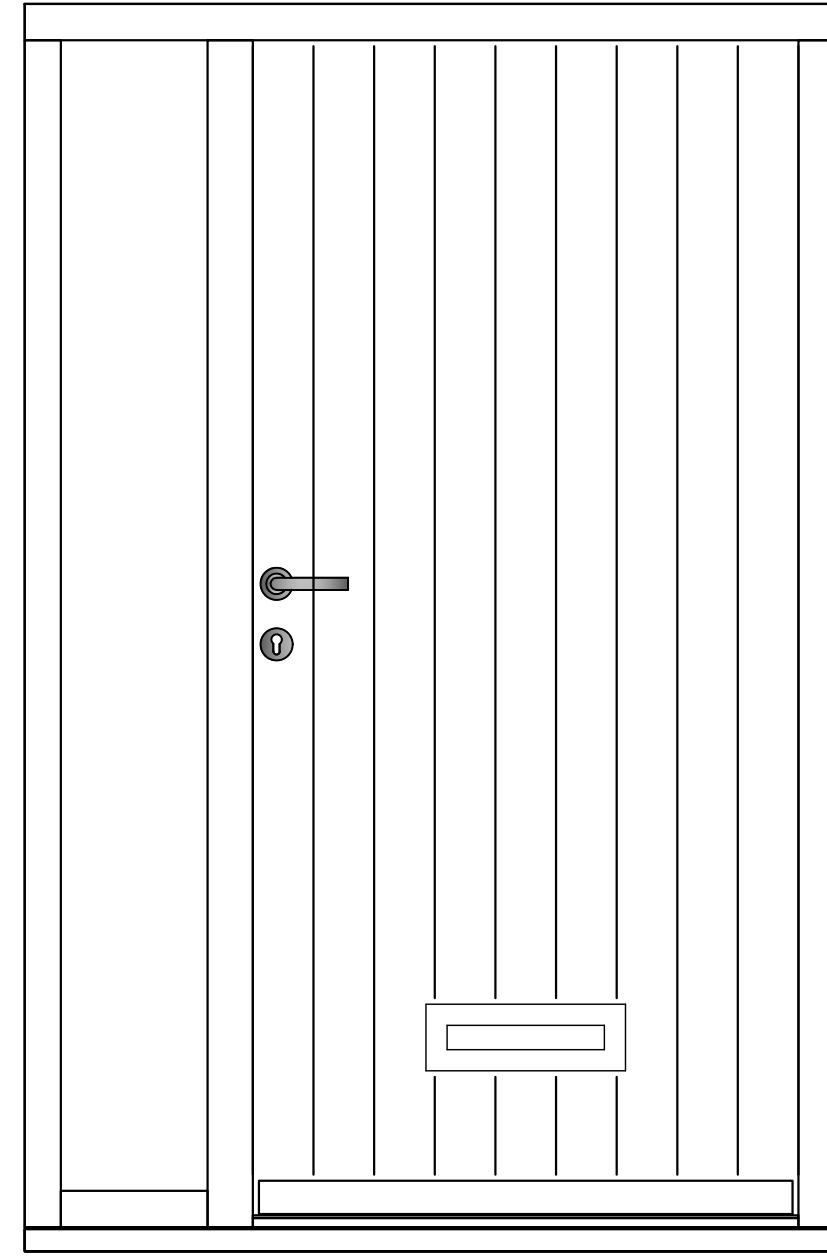
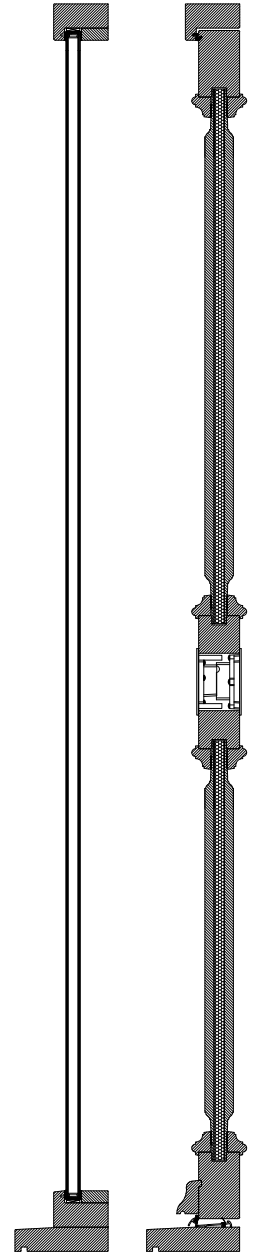
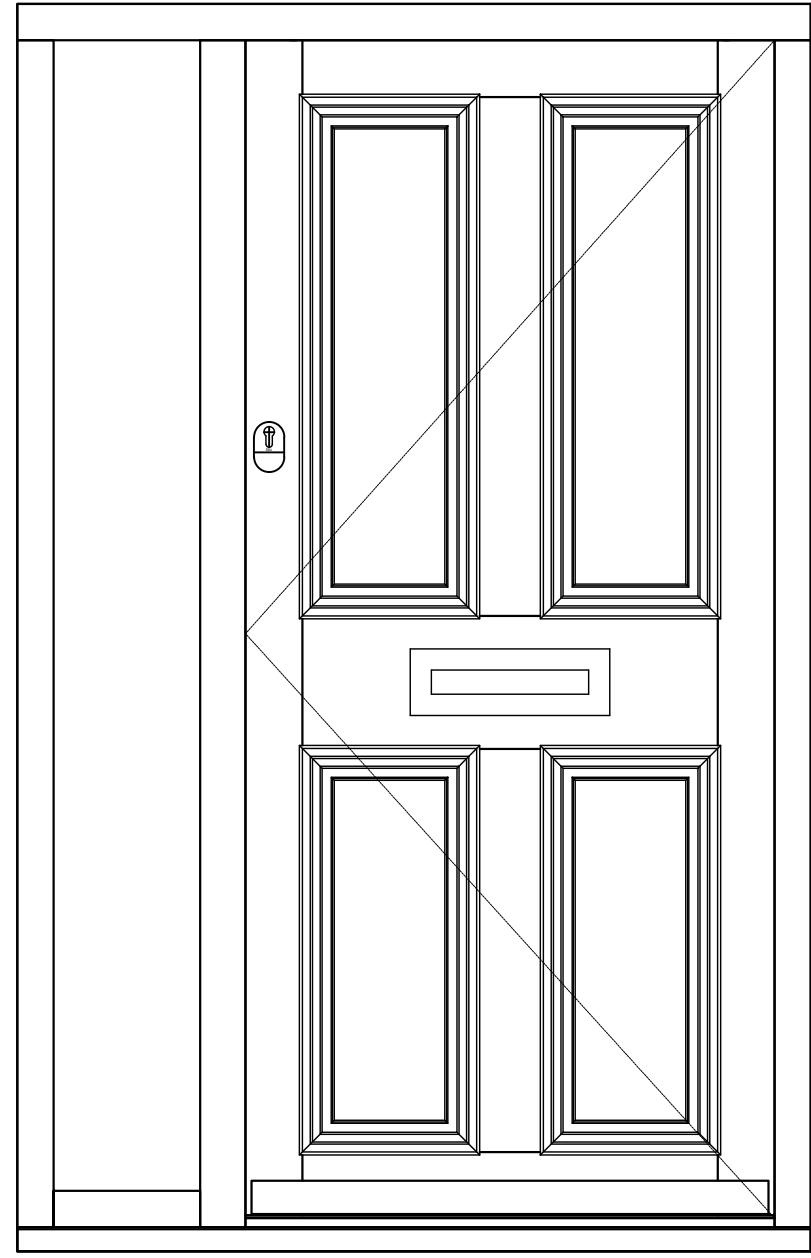
**FD-W-90/04**

DATE

**2020/11/17**

SCALE

CONSTRUCTION DETAILS



Traditional door

Contemporary door

TRC CONTRACTS Ltd  
Knoll House, Union Wharf,  
Market Harborough,  
Leicestershire LE16 7UW  
Tel: +44 (0)1858 469 225  
Fax: +44 (0)1858 469 249  
www.trcwindows.co.uk



PRODUCT TYPE

# FRENCH & SINGLE TIMBER DOOR

TITLE

## SASH MIDRAILS AND TRANSOMS

DRAWING No.

HD-W-90/05

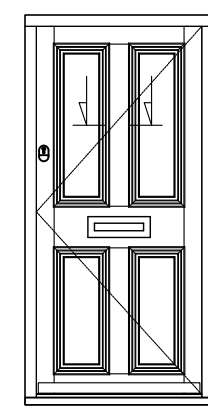
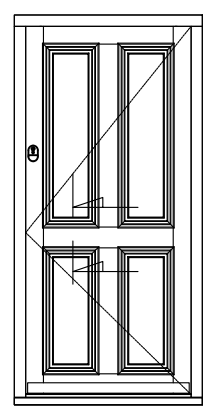
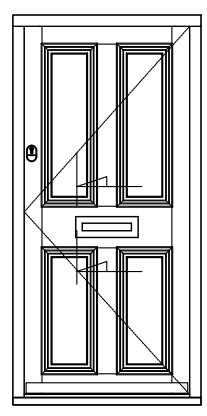
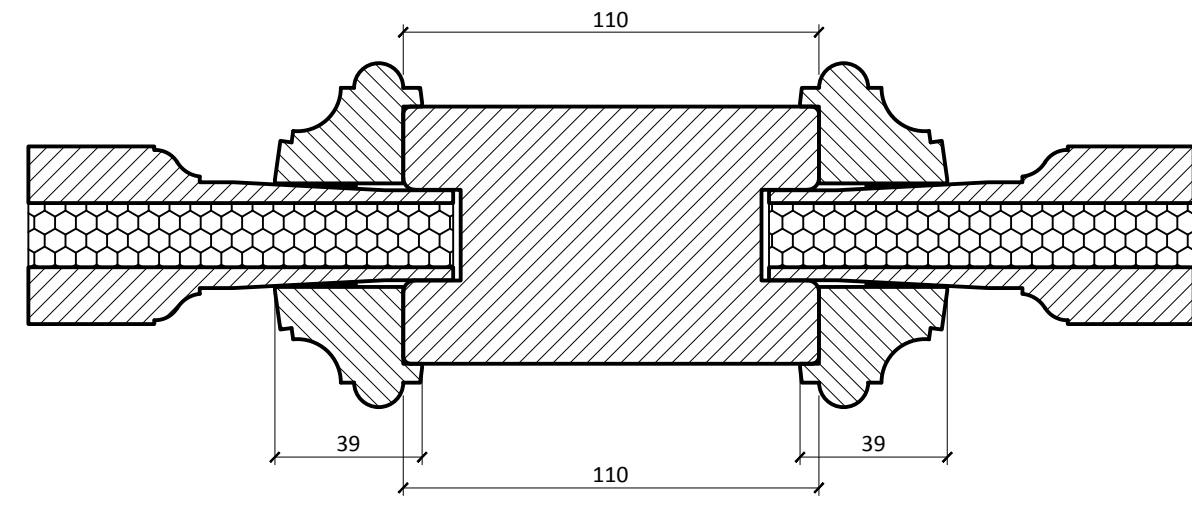
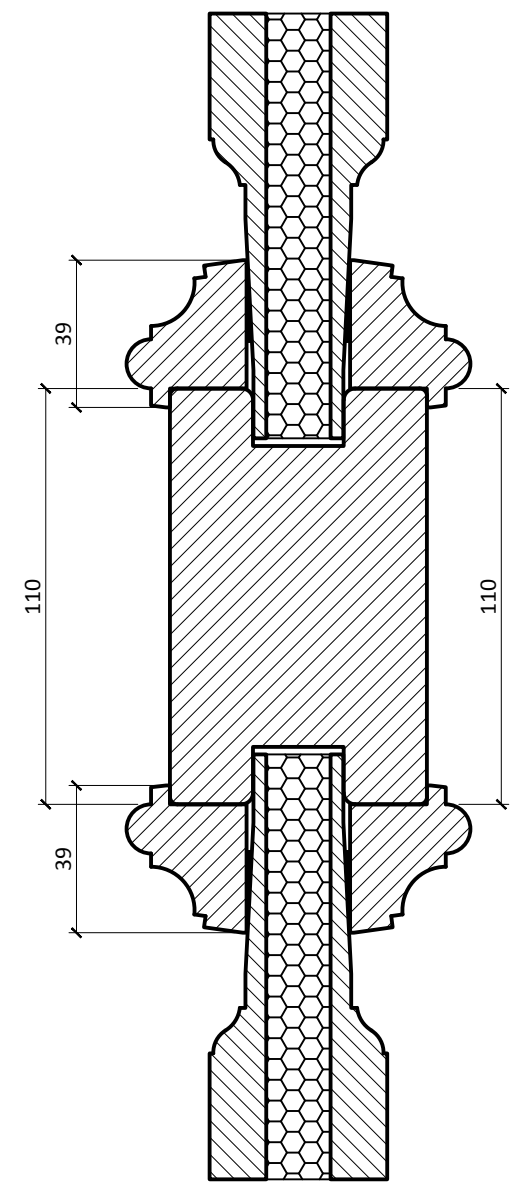
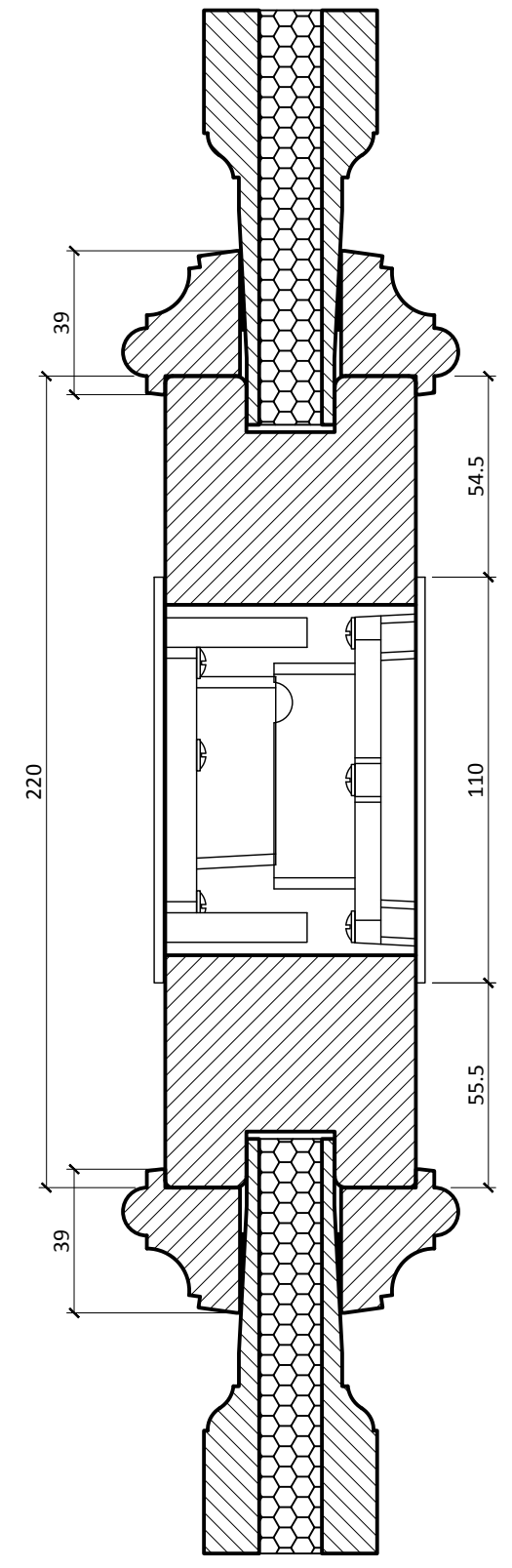
DATE

2020/11/17

SCALE

1:2 @ A3

CONSTRUCTION DETAILS



TRC ARE AN ISO 9001 REGISTERED COMPANY



TRC CONTRACTS Ltd  
 Knoll House, Union Wharf,  
 Market Harborough,  
 Leicestershire LE16 7UW  
 Tel: +44 (0)1858 469 225  
 Fax: +44 (0)1858 469 249  
 www.trcwindows.co.uk



# FRENCH & SINGLE TIMBER DOOR

TITLE

## GLAZING BAR AND BEAD OPTIONS

DRAWING No.

HD-W-90/06

DATE

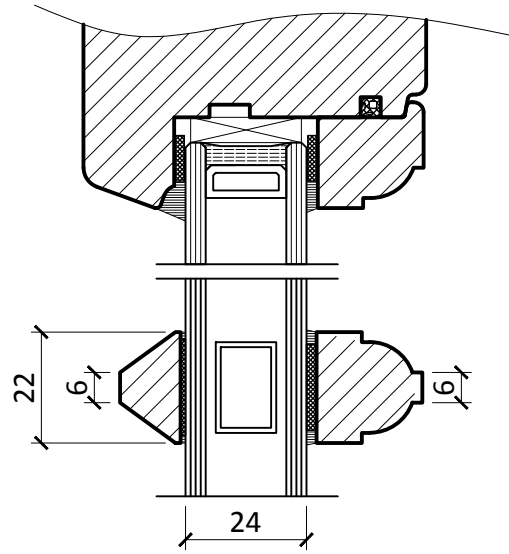
2020/11/17

SCALE

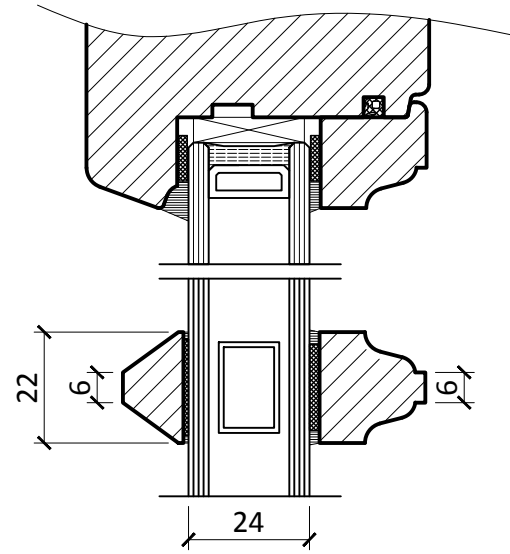
1:1.5 @ A3

CONSTRUCTION DETAILS

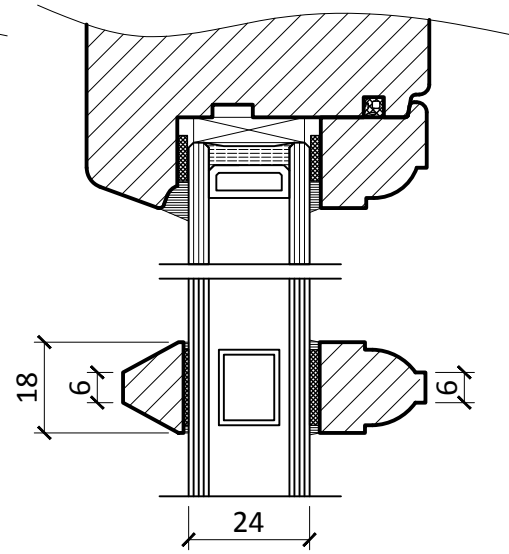
Ovolo Profile 1



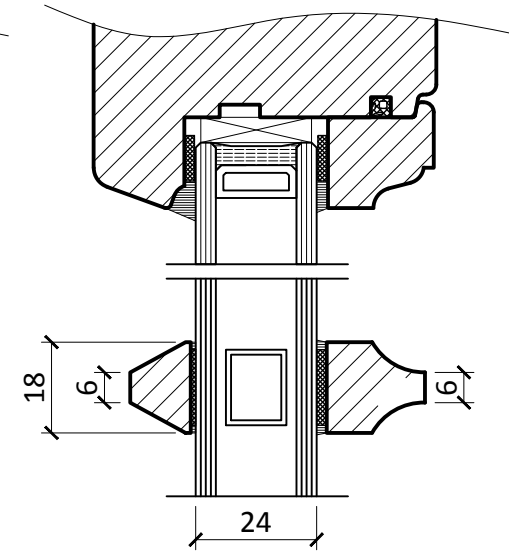
Lambs Tongue Profile 1



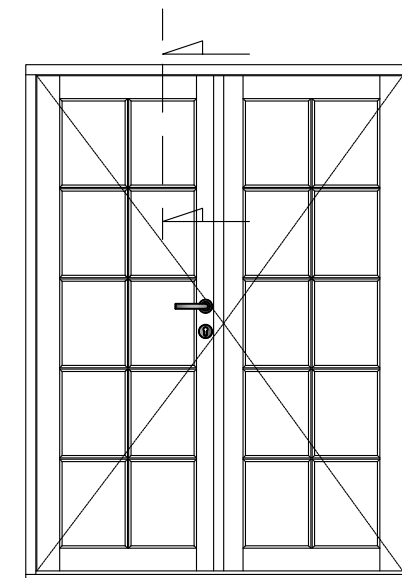
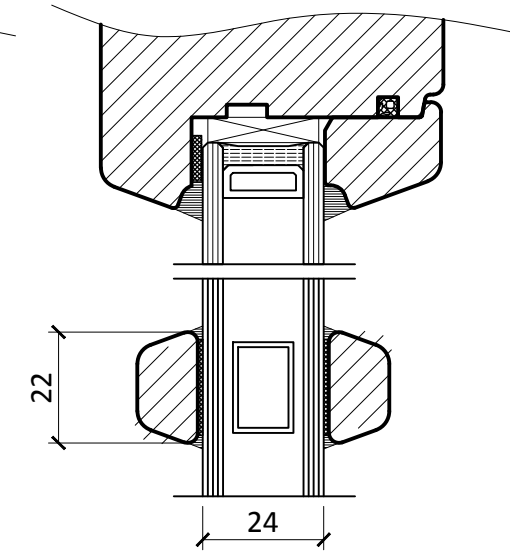
Ovolo Profile 2



Lambs Tongue Profile 2



Splayed Profile 1



TRC ARE AN ISO 9001 REGISTERED COMPANY



TRC CONTRACTS Ltd  
 Knoll House, Union Wharf,  
 Market Harborough,  
 Leicestershire LE16 7UW  
 Tel: +44 (0)1858 469 225  
 Fax: +44 (0)1858 469 249  
 www.trcwindows.co.uk



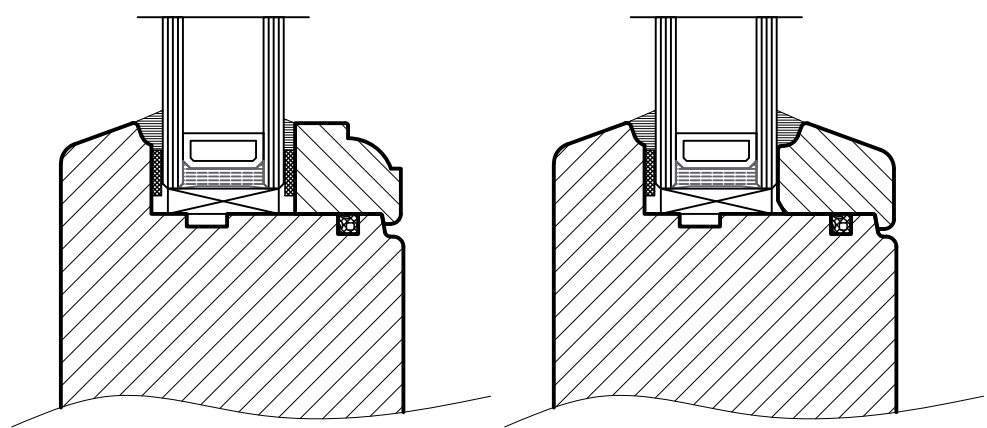
# FRENCH & SINGLE TIMBER DOOR

TITLE  
**SASH PROFILE, PANEL AND  
MOULDING OPTIONS**

DRAWING No.  
**HD-W-90/07**

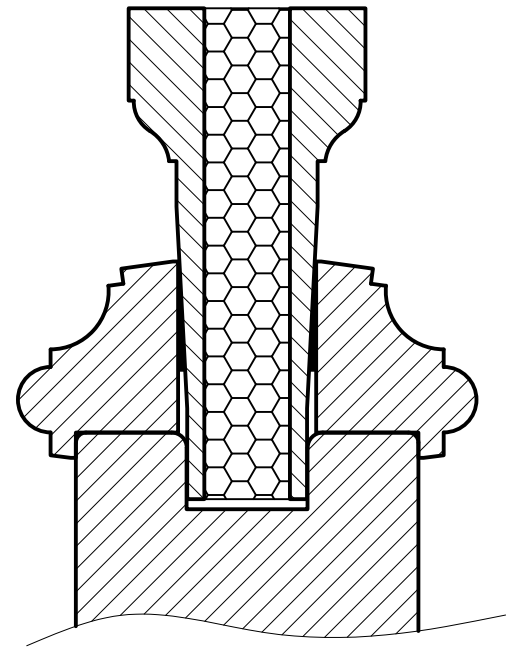
|            |            |
|------------|------------|
| DATE       | SCALE      |
| 2020/11/17 | 1:1.5 @ A3 |

CONSTRUCTION DETAILS

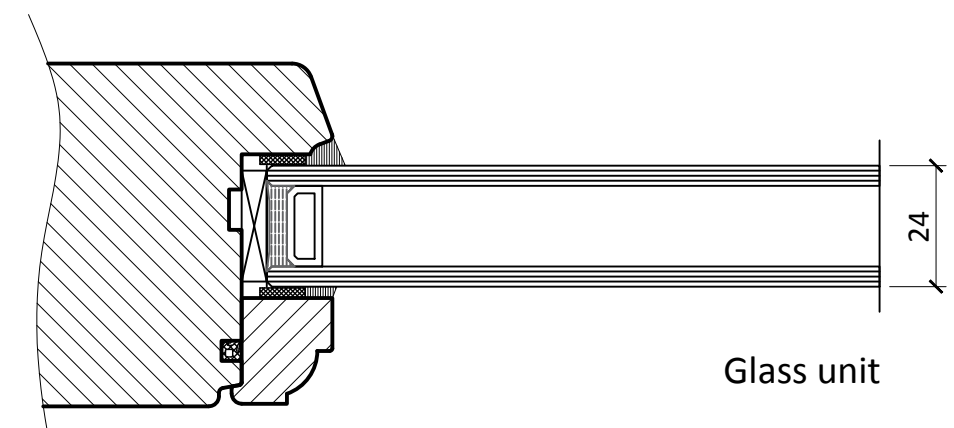


Rebated sash profile with  
Ovolo glazing bead

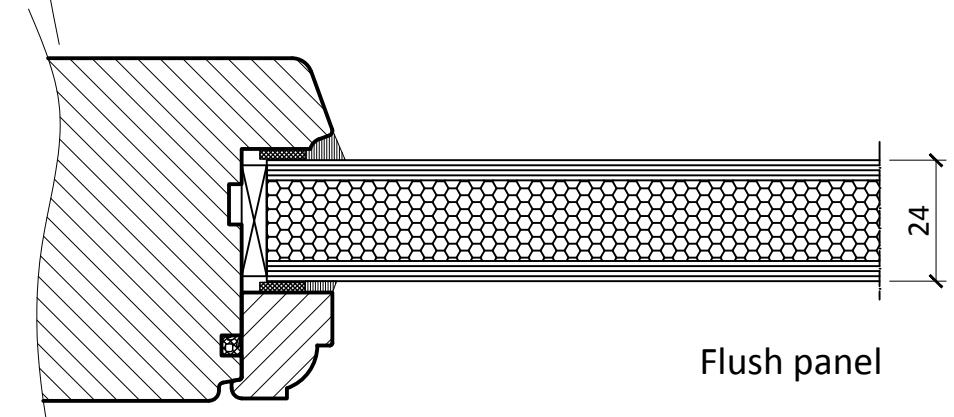
Rebated sash profile with  
Splayed glazing bead



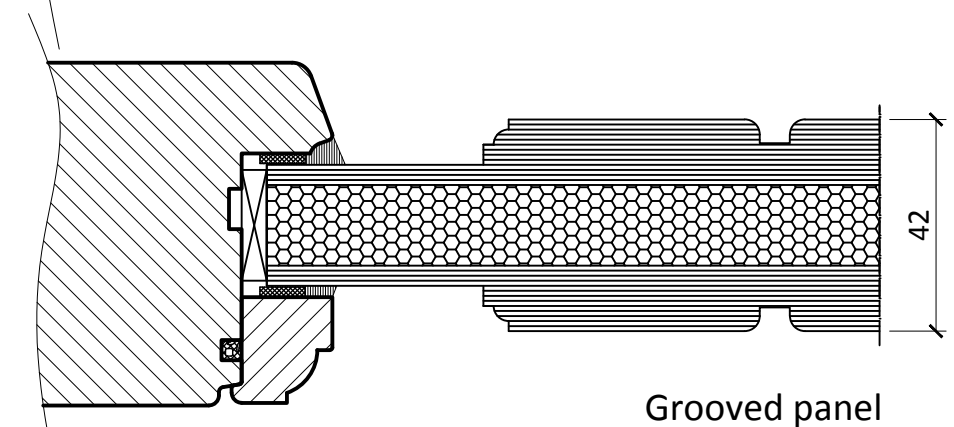
Flush sash profile  
with moulding



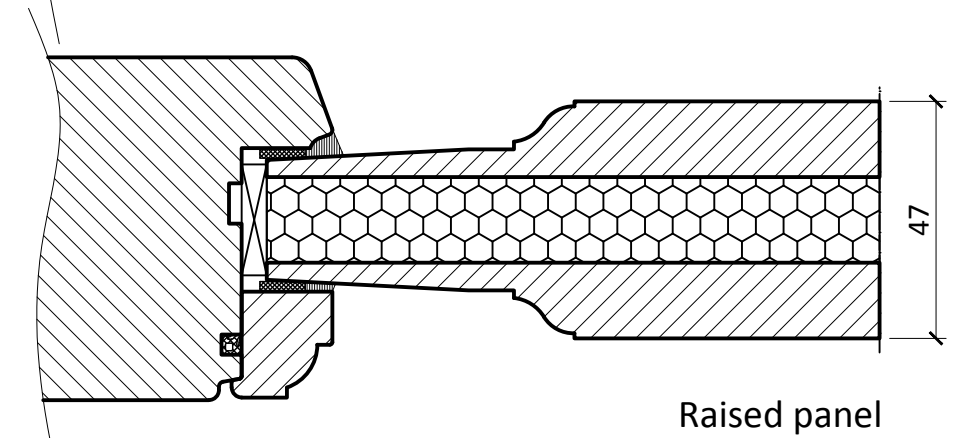
Glass unit



Flush panel



Grooved panel



Raised panel

TRC ARE AN ISO 9001 REGISTERED COMPANY



TRC CONTRACTS Ltd  
 Knoll House, Union Wharf,  
 Market Harborough,  
 Leicestershire LE16 7UW  
 Tel: +44 (0)1858 469 225  
 Fax: +44 (0)1858 469 249  
 www.trcwindows.co.uk

