

FLUSH CASEMENT WINDOW

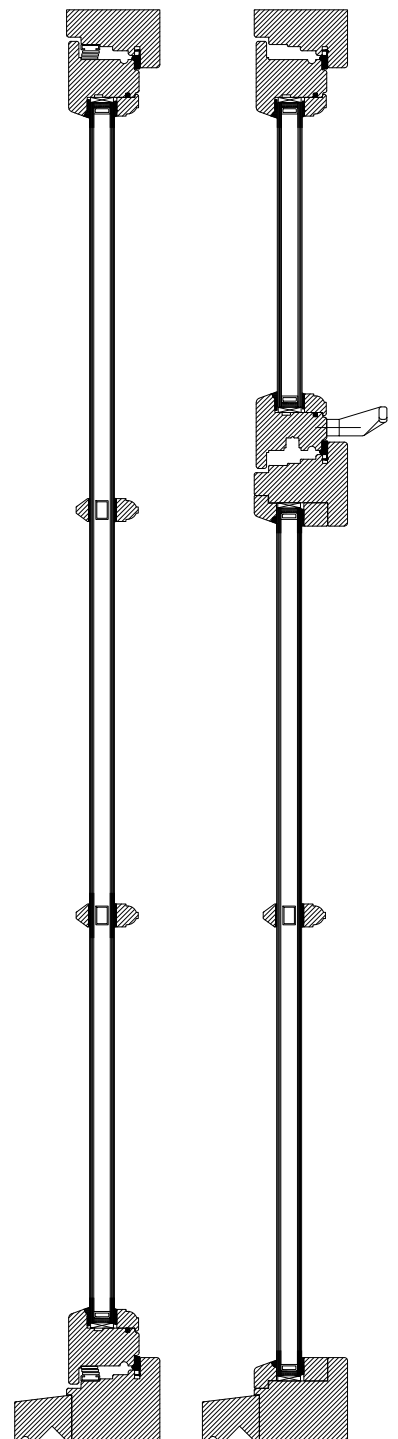
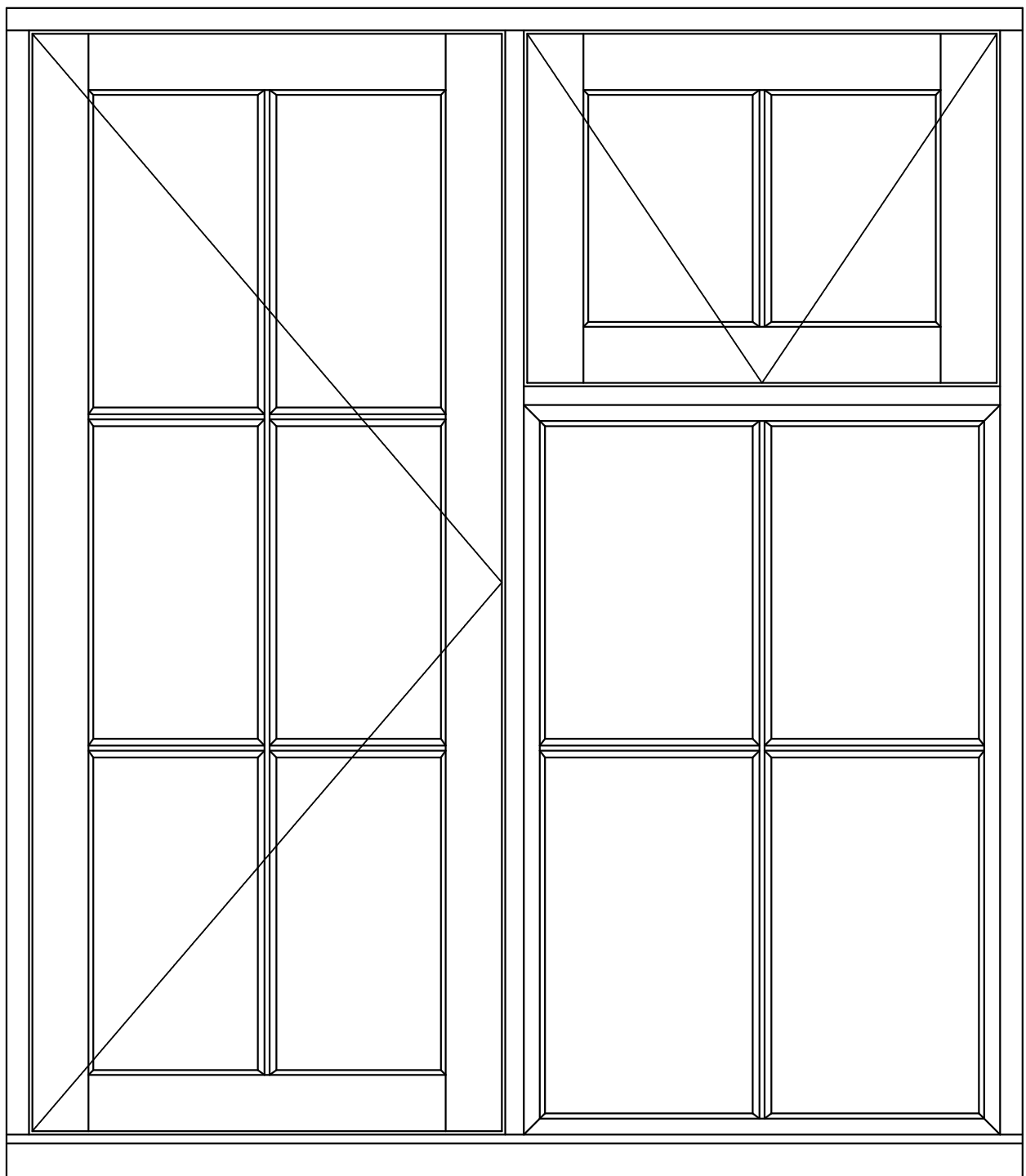
TITLE
ELEVATION DRAWING

DRAWING No.
FC-W-90/01

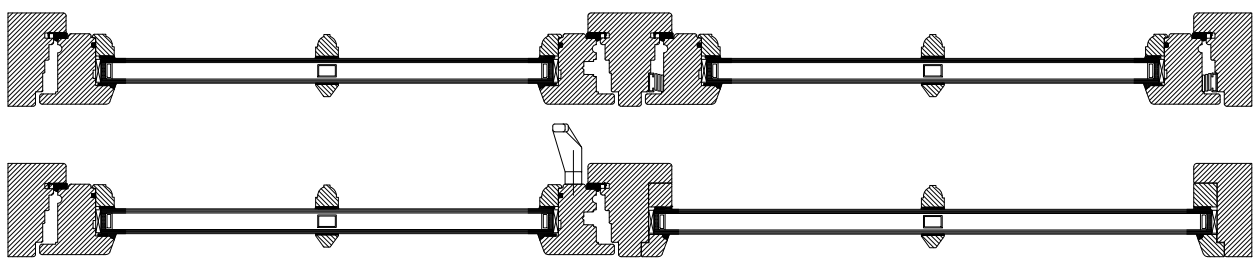
DATE
2020/11/17

SCALE

CONSTRUCTION DETAILS

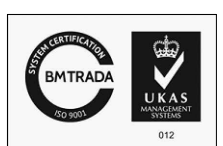


Material	Manufactured in selected engineered laminated pine or hardwood, sourced from sustainable and managed forestry (FSC or PFEC certified)
Mechanism	Sashes are hung and operated on the friction hinges and locked by espagnolette locking system
Security (optional)	Fully tested to Secure by design standards PAS 24:2012
Weatherseal	The window is fully weather sealed to BS EN 6375-1 2009
Glass	The window is factory glazed and can take dual or triple sealed units up to 32mm thickness
Thermal Performance	Thermal performance is calculated by the standards of EN ISO 10077-1:2006 and typically this window achieves a U-value of 1.3 W/m ² K or better
Glazing Bars	Applied bars are used to achieve the slim section of traditional glazing bars. These are applied with double sided glazing tape to both faces of the sealed unit and capped with clear silicone
Cill Extensions	Manufactured in Hardwood with options of cill projections
Fittings	A locking casement fastener to each operable sash with options in colour and finish
Ventilation	A controllable trickle ventilator can be fitted to the window dependant on width of sash (See Drawing No FC-W-90/09)
Restrictors	Restrictors which allows the opening of the sash to be restricted to 100mm is an option
Egress	Egress Easy Clean hinges for fire escape purposes is an option
Factory Finishing	To ensure the smooth operation and optimum performance of the window, we apply 3 coats of sprayed applied microporous water based paint system



TRC CONTRACTS Ltd
Knoll House, Union Wharf,
Market Harborough,
Leicestershire LE16 7UW
Tel: +44 (0)1858 469 225
Fax: +44 (0)1858 469 249
www.trcwindows.co.uk

TRC ARE AN ISO 9001 REGISTERED COMPANY



FLUSH CASEMENT WINDOW

TITLE

VERTICAL SECTION

DRAWING No.

FC-W-90/02

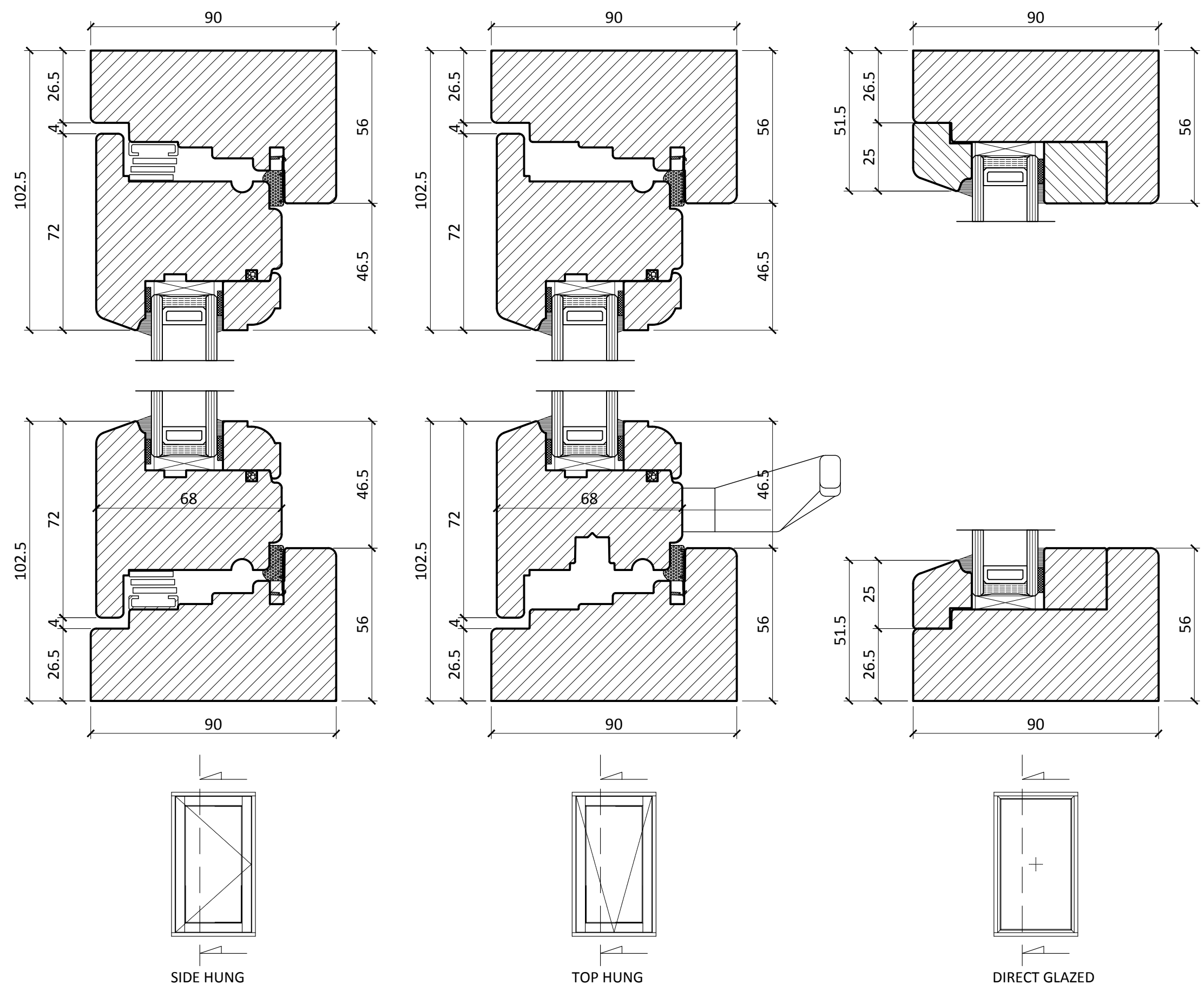
DATE

2020/11/17

SCALE

1:1.5 @ A3

CONSTRUCTION DETAILS



TRC CONTRACTS Ltd
 Knoll House, Union Wharf,
 Market Harborough,
 Leicestershire LE16 7UW
 Tel: +44 (0)1858 469 225
 Fax: +44 (0)1858 469 249
 www.trcwindows.co.uk

TRC ARE AN ISO 9001 REGISTERED COMPANY



FLUSH CASEMENT WINDOW

TITLE

HORIZONTAL SECTION

DRAWING No.

FC-W-90/03

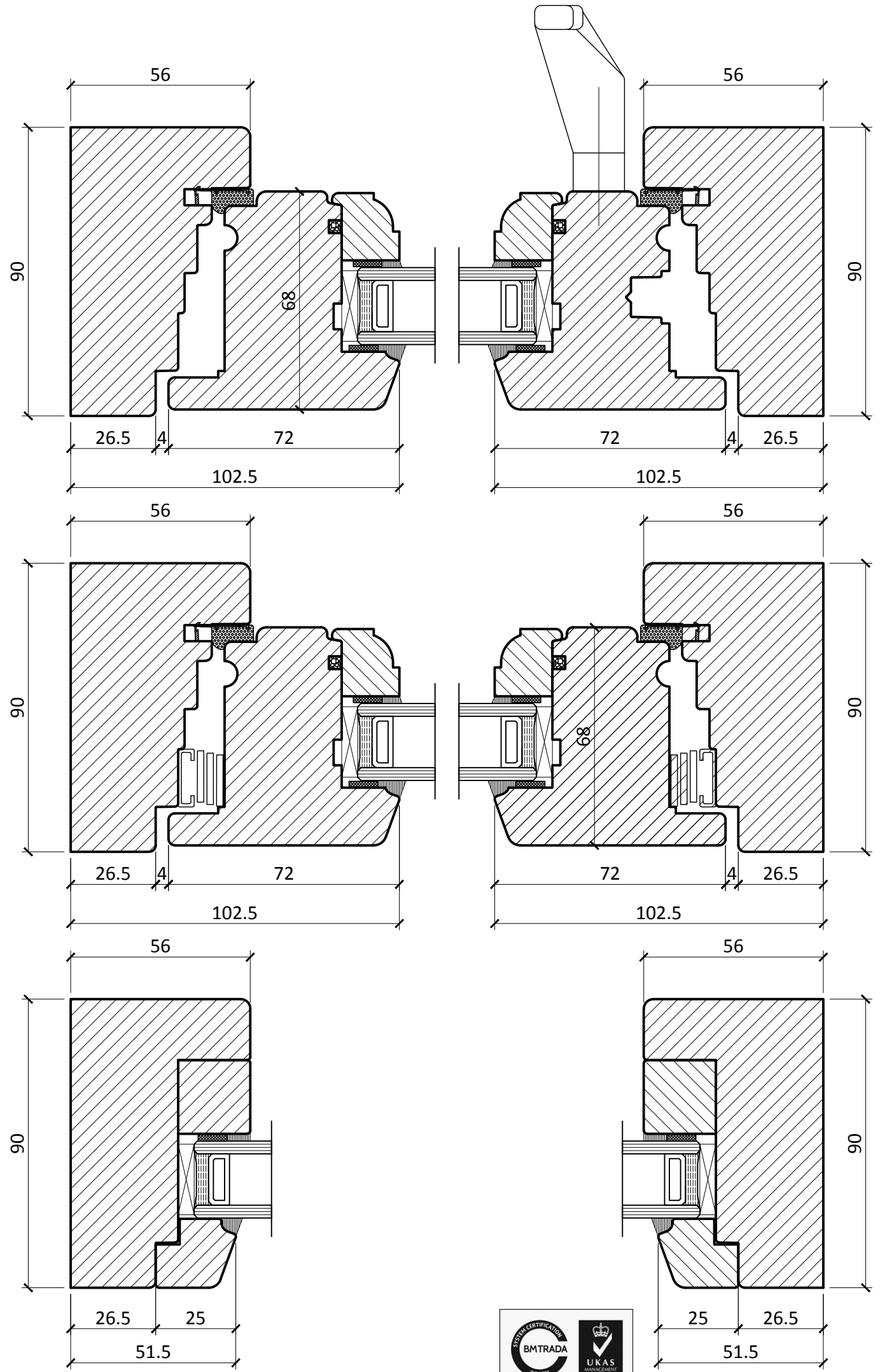
DATE

2020/11/17

SCALE

1:1.5 @ A3

CONSTRUCTION DETAILS



TRC ARE AN ISO 9001 REGISTERED COMPANY



TRC CONTRACTS Ltd
 Knoll House, Union Wharf,
 Market Harborough,
 Leicestershire LE16 7UW
 Tel: +44 (0)1858 469 225
 Fax: +44 (0)1858 469 249
 www.trcwindows.co.uk



FLUSH CASEMENT WINDOW

TITLE

MULLION DETAILS

DRAWING No.

FC-W-90/04

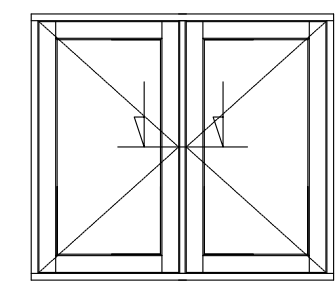
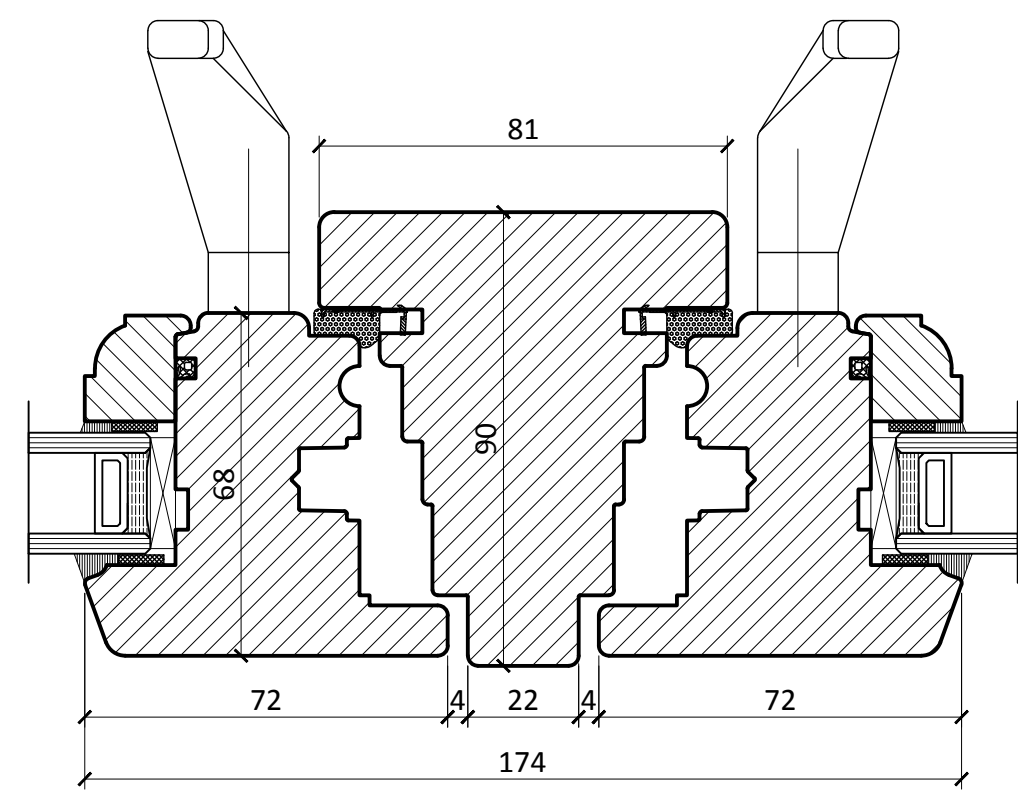
DATE

2020/11/17

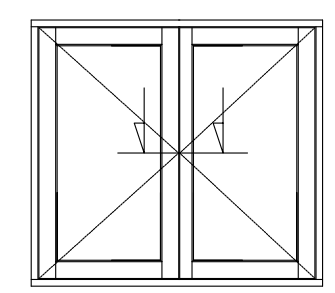
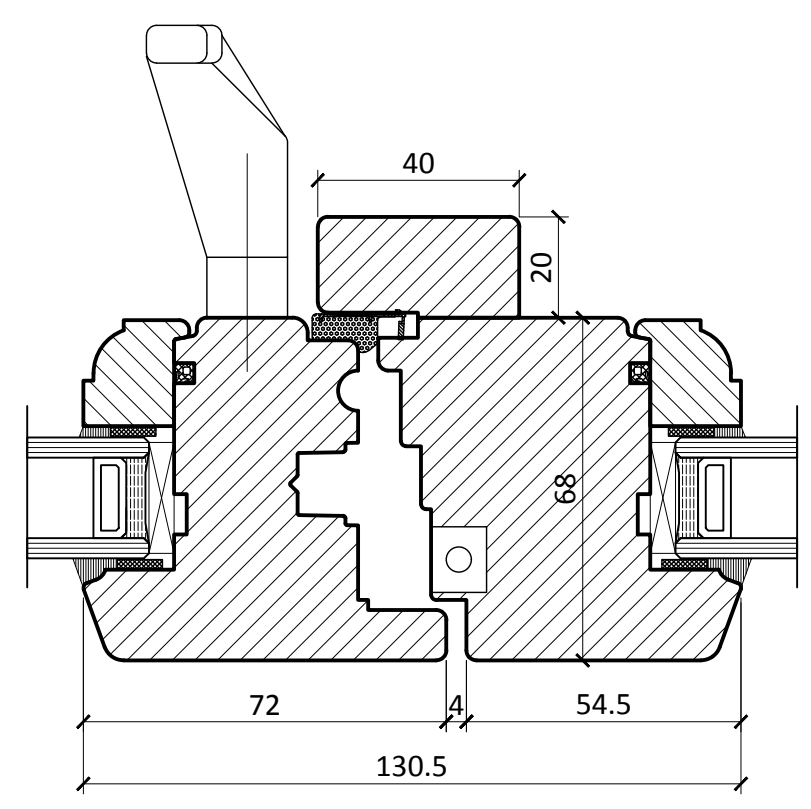
SCALE

1:1.5 @ A3

CONSTRUCTION DETAILS



DOUBLE SIDE HUNG



DOUBLE SIDE HUNG WITH FLOATING MULLION

TRC CONTRACTS Ltd
 Knoll House, Union Wharf,
 Market Harborough,
 Leicestershire LE16 7UW
 Tel: +44 (0)1858 469 225
 Fax: +44 (0)1858 469 249
 www.trcwindows.co.uk

TRC ARE AN ISO 9001 REGISTERED COMPANY



FLUSH CASEMENT WINDOW

TITLE

MULLION DETAILS

DRAWING No.

FC-W-90/05

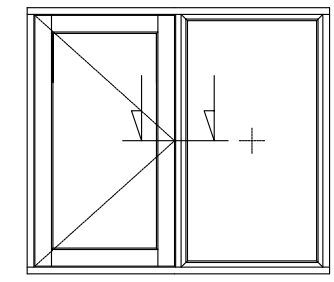
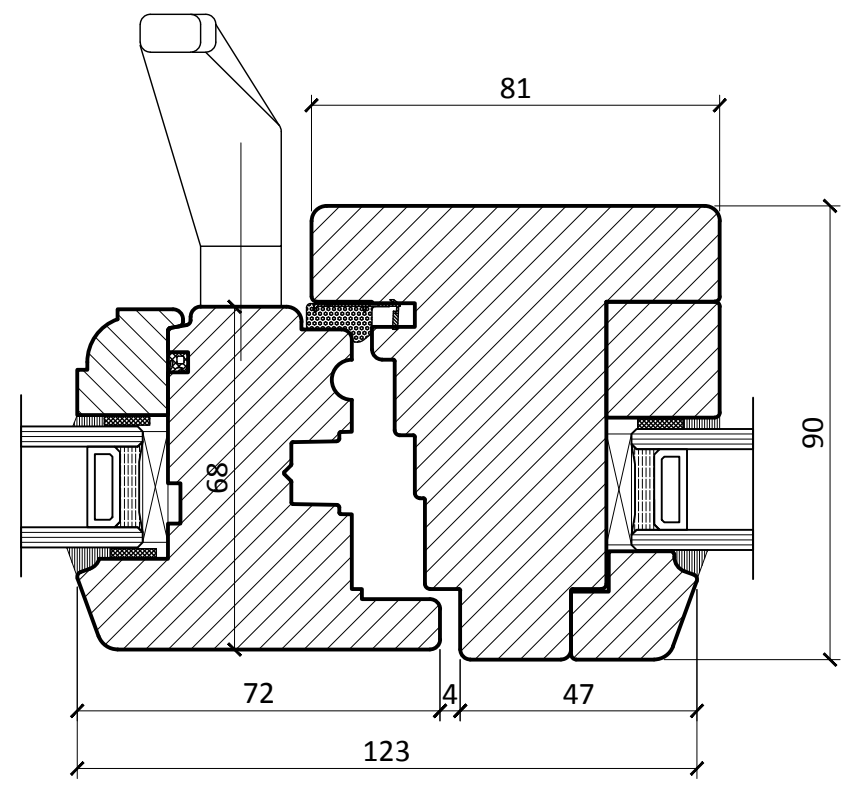
DATE

2020/11/17

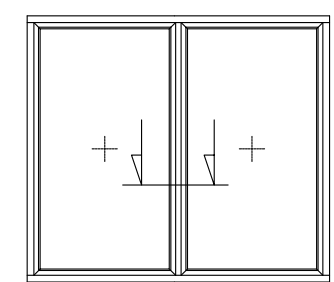
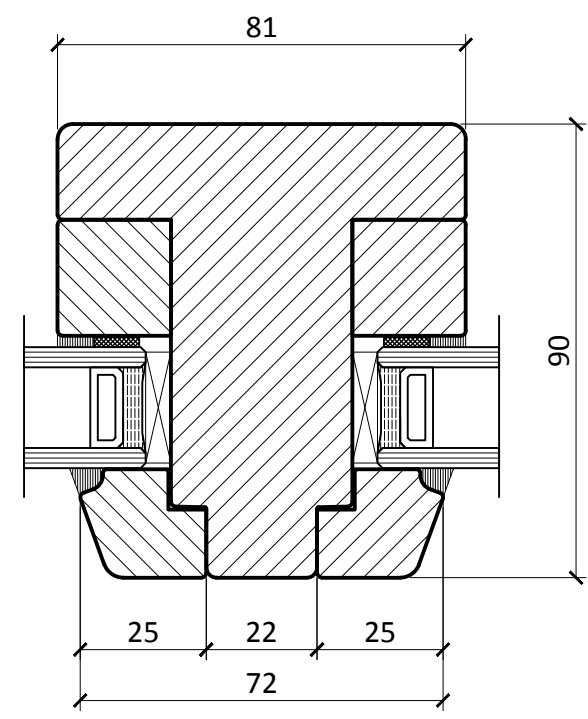
SCALE

1:1.5 @ A3

CONSTRUCTION DETAILS



SIDE HUNG NEXT TO DIRECT GLAZED



DIRECT GLAZED

TRC ARE AN ISO 9001 REGISTERED COMPANY



TRC CONTRACTS Ltd
 Knoll House, Union Wharf,
 Market Harborough,
 Leicestershire LE16 7UW
 Tel: +44 (0)1858 469 225
 Fax: +44 (0)1858 469 249
www.trcwindows.co.uk



FLUSH CASEMENT WINDOW

TITLE

TRANSOM DETAILS

DRAWING No.

FC-W-90/06

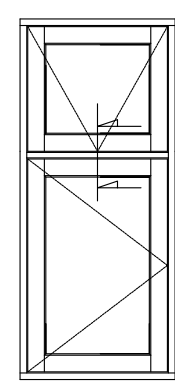
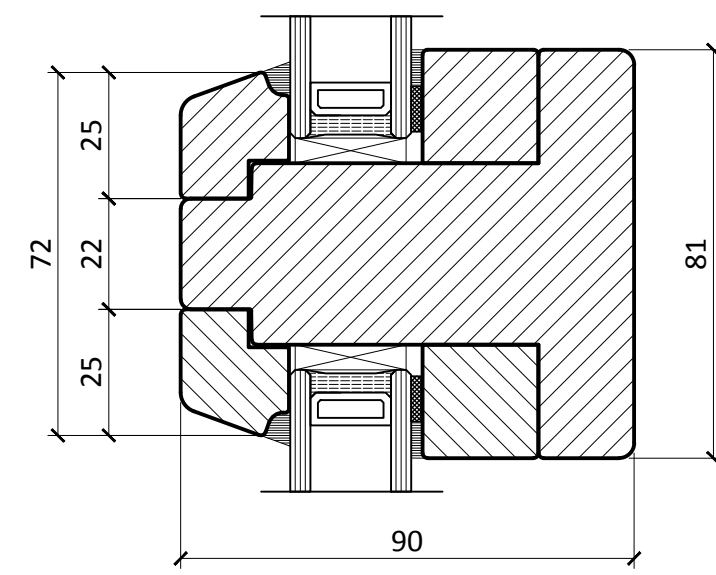
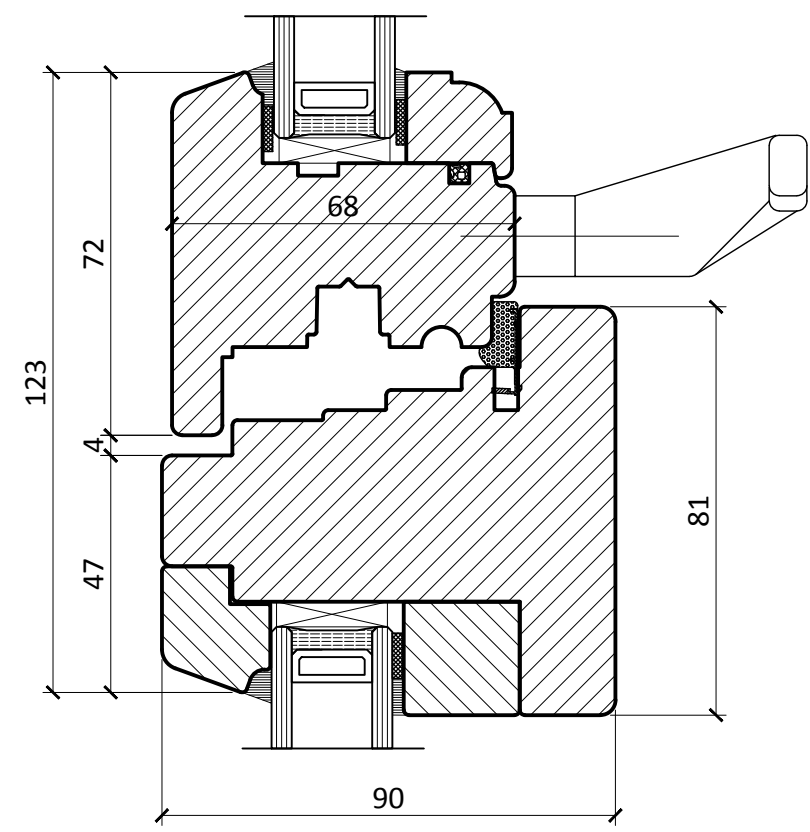
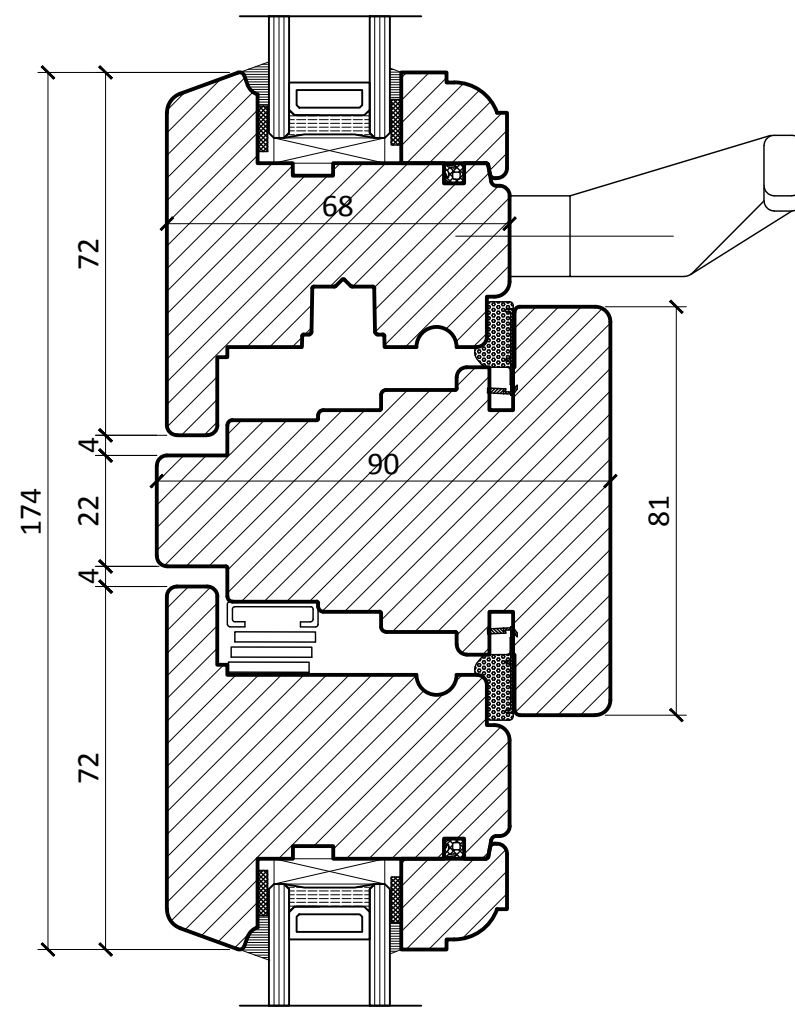
DATE

2020/11/17

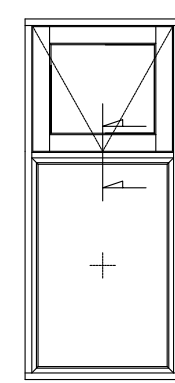
SCALE

1:1.5 @ A3

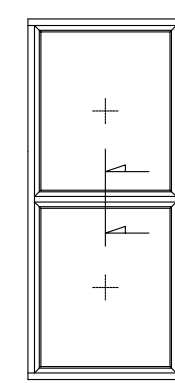
CONSTRUCTION DETAILS



TOP HUNG OVER SIDE HUNG



TOP HUNG OVER DIRECT GLAZED



DIRECT GLAZED

TRC ARE AN ISO 9001 REGISTERED COMPANY



TRC CONTRACTS Ltd
 Knoll House, Union Wharf,
 Market Harborough,
 Leicestershire LE16 7UW
 Tel: +44 (0)1858 469 225
 Fax: +44 (0)1858 469 249
 www.trcwindows.co.uk



FLUSH CASEMENT WINDOW

TITLE
GLAZING BAR, BEAD AND FRAME OPTIONS

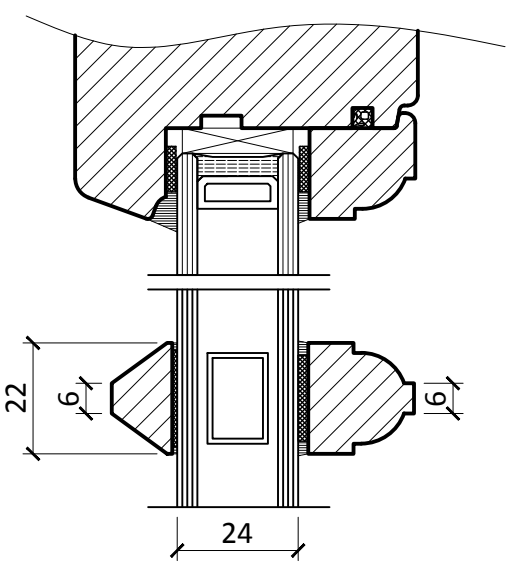
DRAWING No.
FC-W-90/07

DATE
2020/11/17

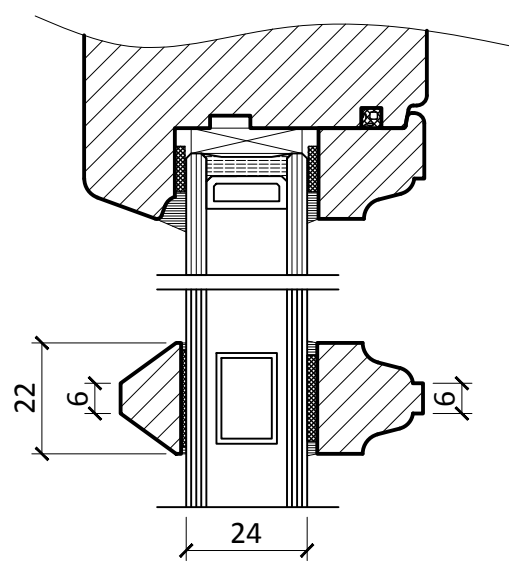
SCALE
1:1.5 @ A3

CONSTRUCTION DETAILS

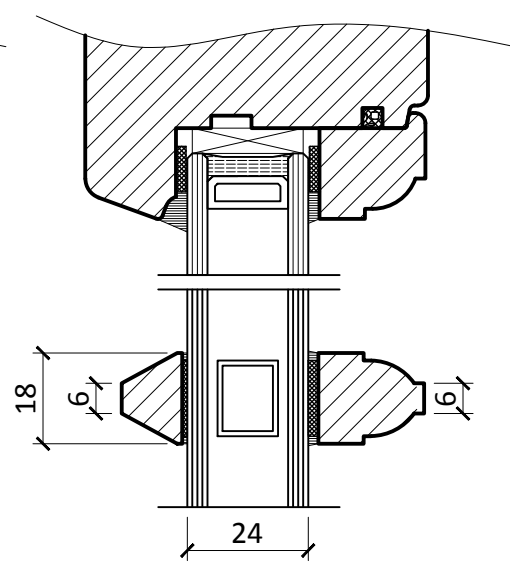
Ovolo Profile 1



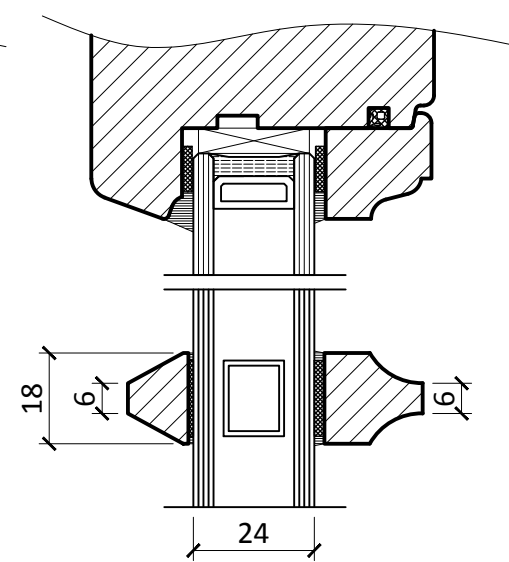
Lambs Tongue Profile 1



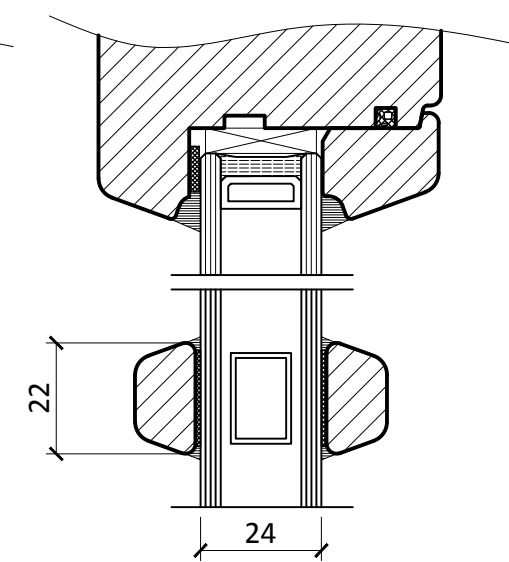
Ovolo Profile 2



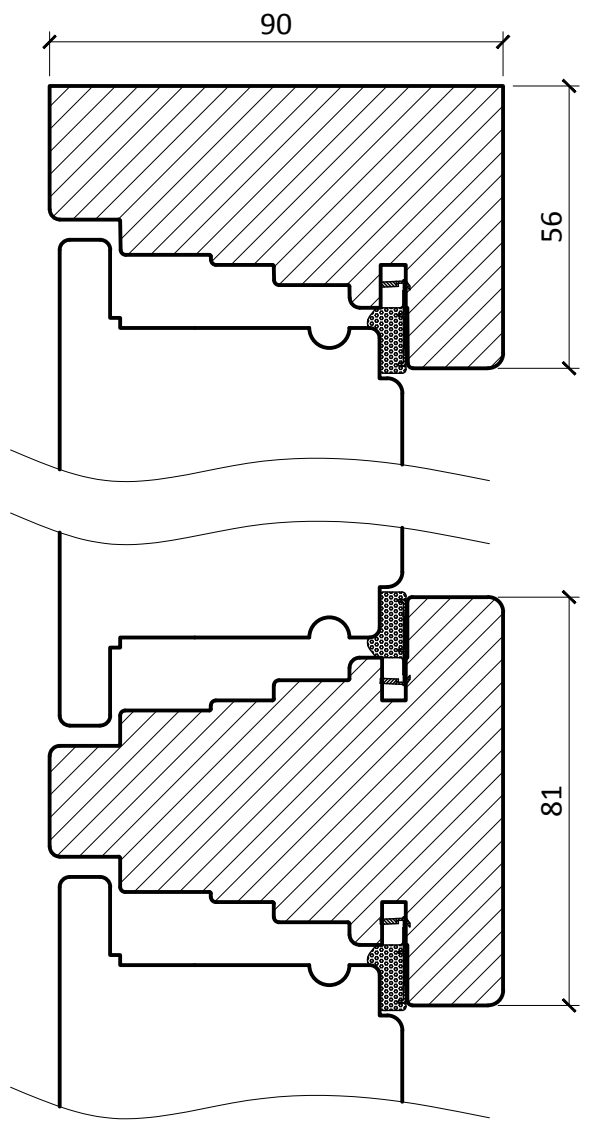
Lambs Tongue Profile 2



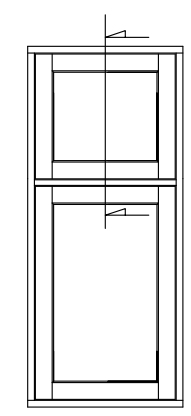
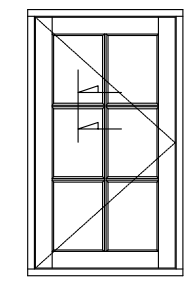
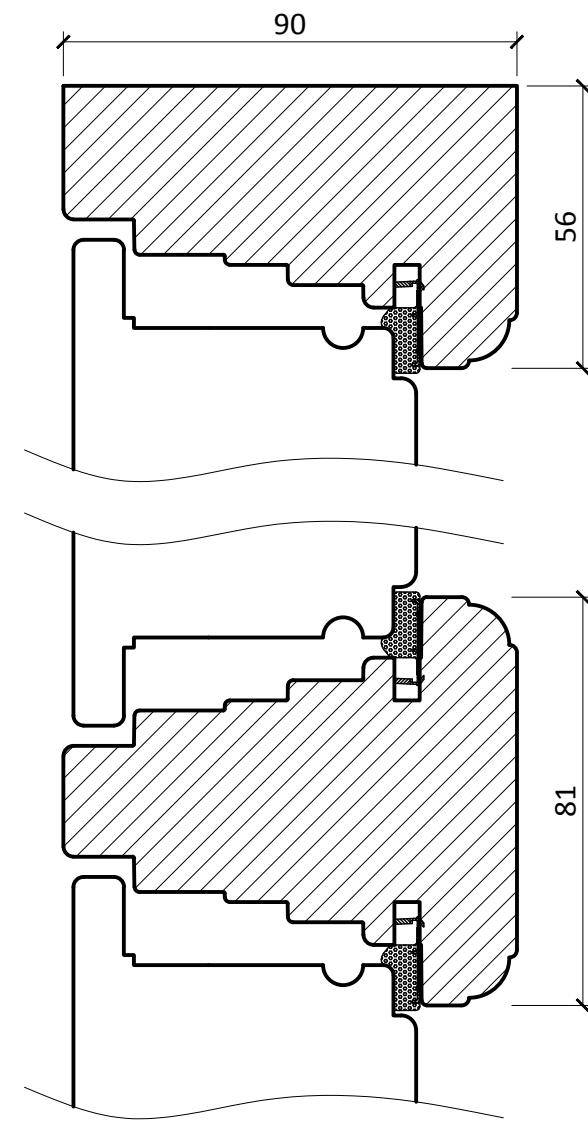
Splayed Profile 1



Square frame



Ovolo frame



TRC ARE AN ISO 9001 REGISTERED COMPANY



TRC CONTRACTS Ltd
Knoll House, Union Wharf,
Market Harborough,
Leicestershire LE16 7UW
Tel: +44 (0)1858 469 225
Fax: +44 (0)1858 469 249
www.trcwindows.co.uk



FLUSH CASEMENT WINDOW

TITLE

CILL EXTENSION OPTIONS

DRAWING No.

FC-W-90/08

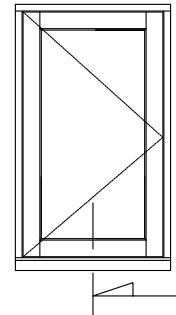
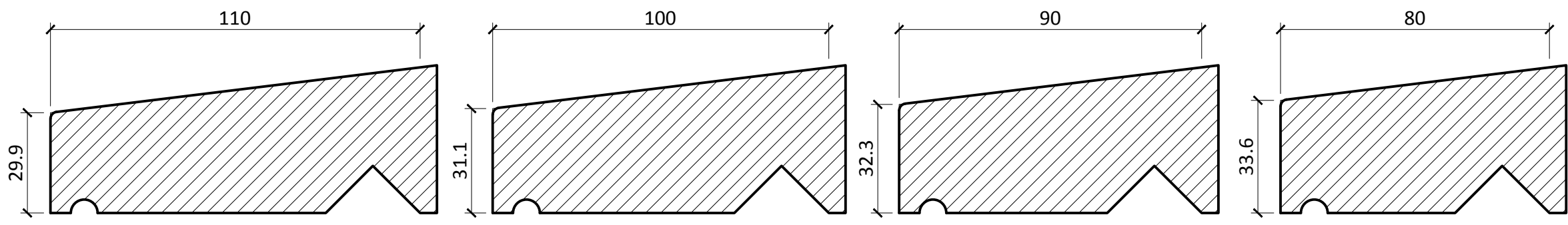
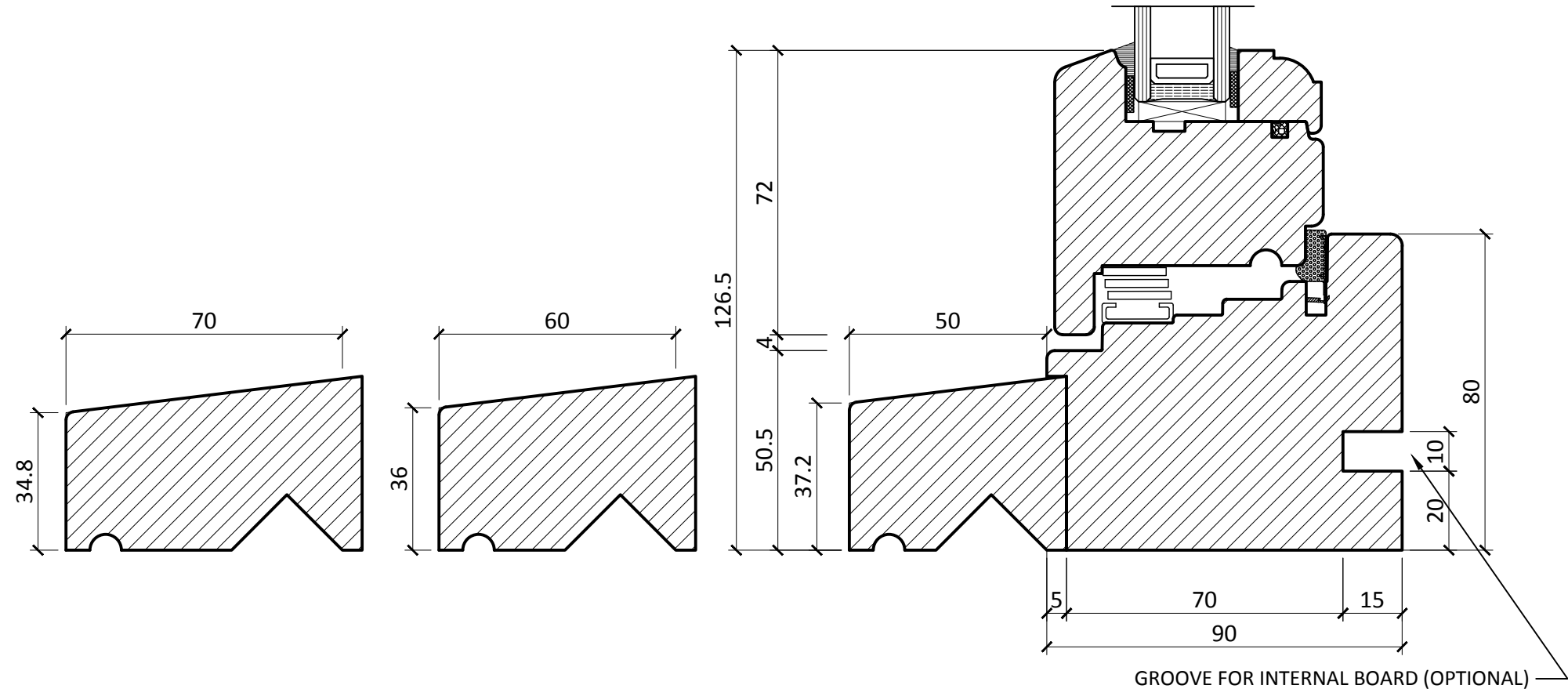
DATE

2020/11/17

SCALE

1:1.5 @ A3

CONSTRUCTION DETAILS



TRC ARE AN ISO 9001 REGISTERED COMPANY



TRC CONTRACTS Ltd
 Knoll House, Union Wharf,
 Market Harborough,
 Leicestershire LE16 7UW
 Tel: +44 (0)1858 469 225
 Fax: +44 (0)1858 469 249
 www.trcwindows.co.uk



FLUSH CASEMENT WINDOW

TITLE

TRICKLE VENT

DRAWING No.

FC-W-90/09

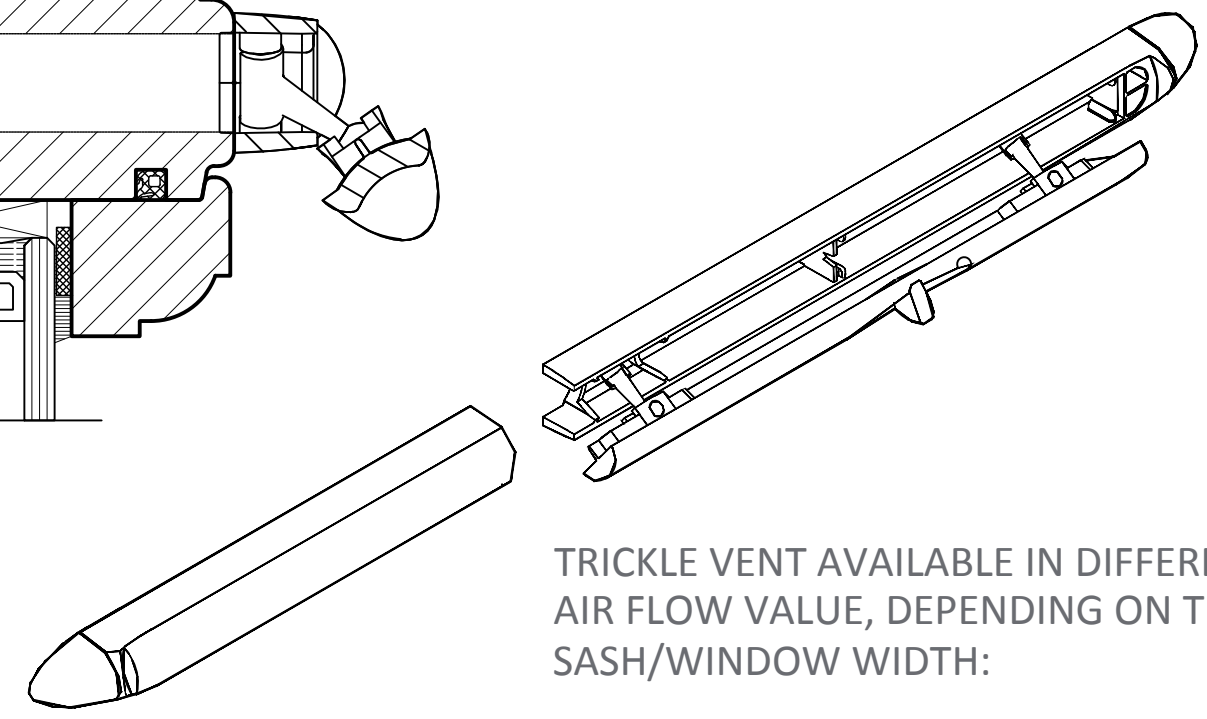
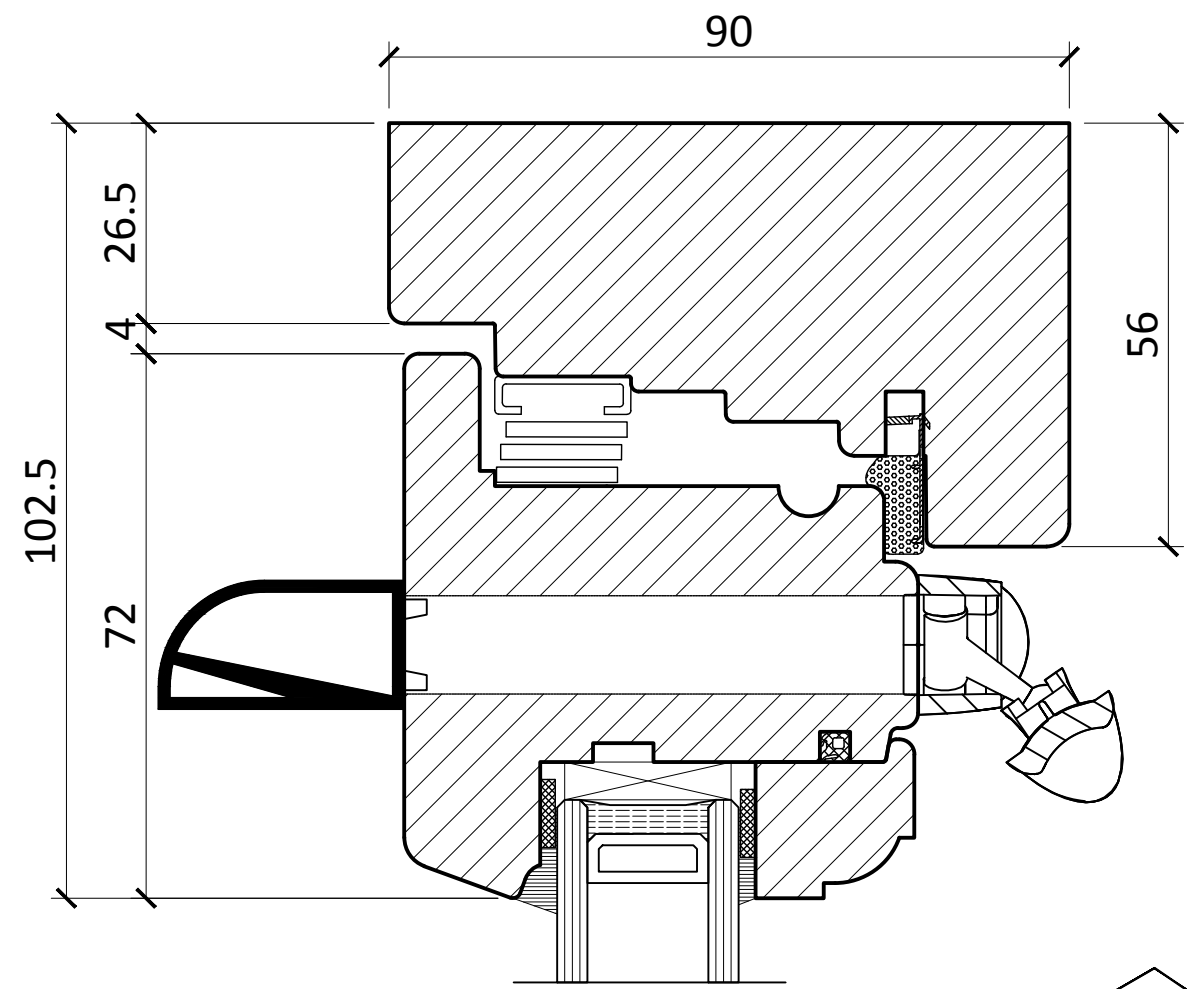
DATE

2020/11/17

SCALE

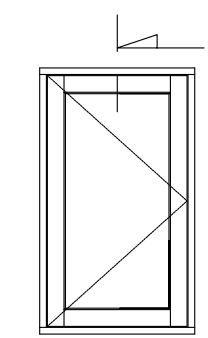
1:1 @ A3

CONSTRUCTION DETAILS



TRICKLE VENT AVAILABLE IN DIFFERENT AIR FLOW VALUE, DEPENDING ON THE SASH/WINDOW WIDTH:

- * - 1700 mm² EA
- * - 4400 mm² EA



TRC ARE AN ISO 9001 REGISTERED COMPANY



TRC CONTRACTS Ltd
 Knoll House, Union Wharf,
 Market Harborough,
 Leicestershire LE16 7UW
 Tel: +44 (0)1858 469 225
 Fax: +44 (0)1858 469 249
 www.trcwindows.co.uk

