

**HERITAGE BOX
SASH WINDOW**

TITLE

ELEVATION DRAWING

DRAWING No.

HERITAGE-140/01

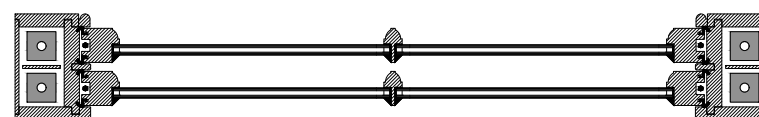
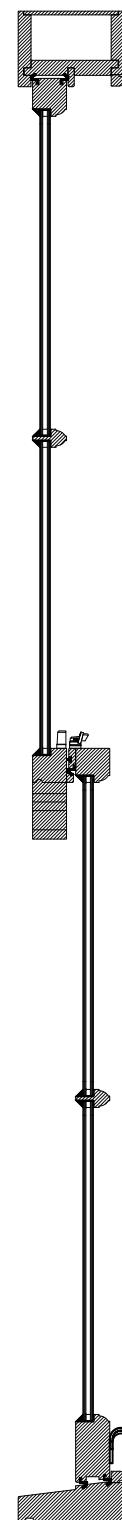
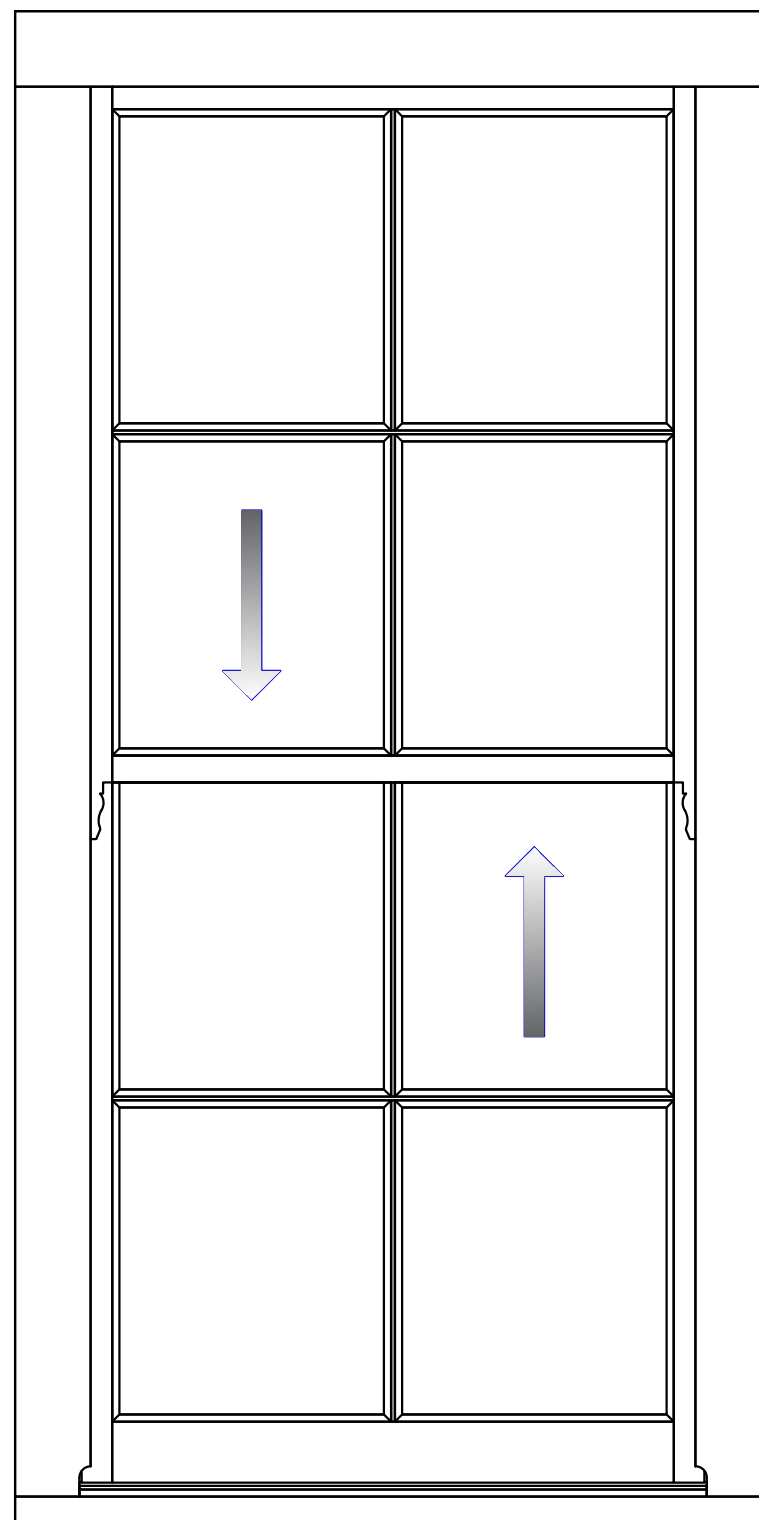
DATE

2018/06/06

SCALE

1:10 @ A3

CONSTRUCTION DETAILS



Material	Manufactured in selected engineered laminated pine or hardwood, sourced from sustainable and managed forestry (FSC or PFEC certified)
Mechanism	Sashes are hung on cords or chains, operating over pulleys and counter balanced with lead weights
Weatherseal	The window is fully weather sealed to BS EN 6375-1 2009
Glazing	Windows are glazed using Slim sealed units and traditionally sealed externally using a glazing compound
Glass	Slim dual sealed units complying with BS EN 1279 parts 1-6 up to 20mm thickness typically achieving a whole window Acoustic value up to 36dB noise reduction
Thermal Performance	Thermal performance is calculated by the standards of EN ISO 10077-1:2006 and typically this window achieves a U-value of 1.6 W/m ² K or better
Glazing Bars	Solid traditional framed glazing bars with individual glass units
Cills	Manufactured in Hardwood with options of cill projections.
Horns	Solid feature horns to top sashes are included as standard (See Drawing No H-001)
Fittings	A lockable Fitch fastener and two finger pulls to the bottom sash with options in colour and finish.
Ventilation	A controllable trickle ventilator can be fitted to the window dependant on width of frame (See Drawing No HERITAGE-140/06)
Restrictors	Restrictors which allows the opening of the sash to be restricted to 100mm is an option
Factory Finishing	To ensure the smooth operation and optimum performance of the window, we apply 3 coats of sprayed applied microporous water based paint system

TRC CONTRACTS Ltd
Knoll House, Union Wharf,
Market Harborough,
Leicestershire LE16 7UW
Tel: +44 (0)1858 469 225
Fax: +44 (0)1858 469 249
www.trcwindows.co.uk



HERITAGE BOX SASH WINDOW

TITLE

VERTICAL SECTION

DRAWING No.

HERITAGE-140/02.1

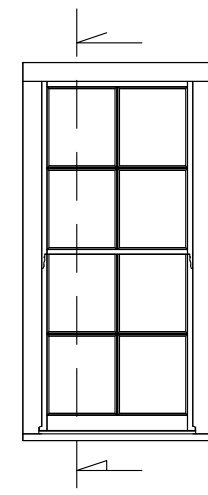
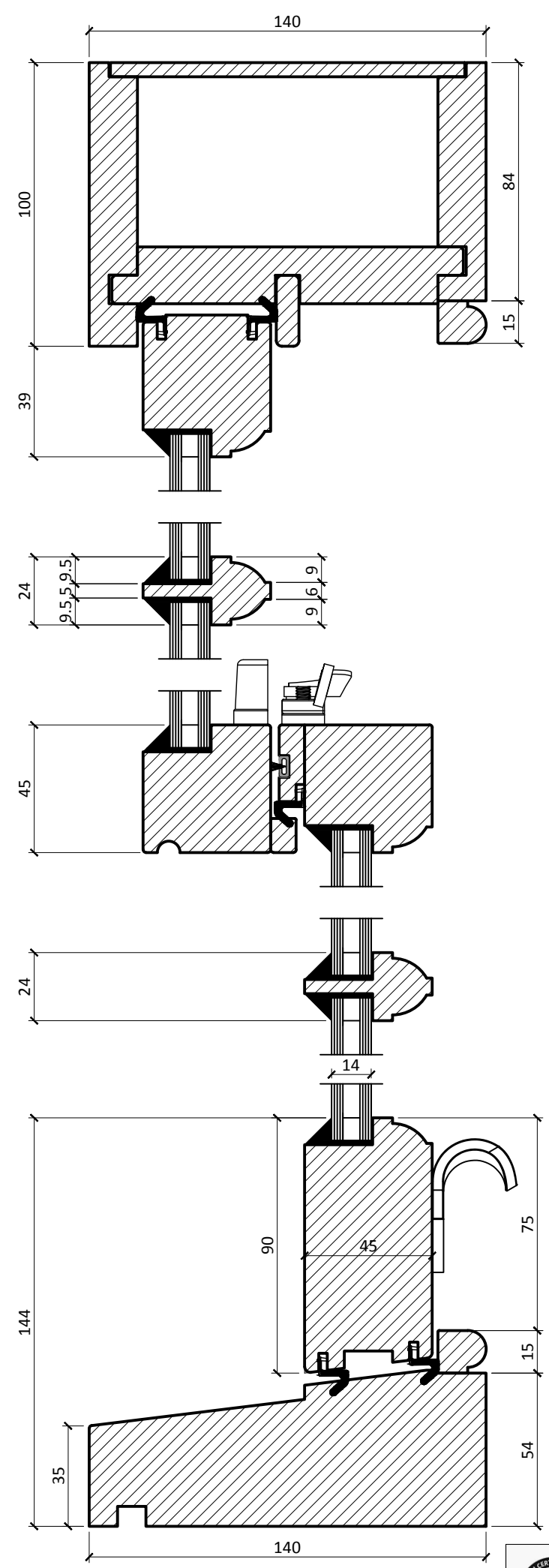
DATE

2018/06/06

SCALE

1:2 @ A3

CONSTRUCTION DETAILS



TRC ARE AN ISO 9001 REGISTERED COMPANY



TRC CONTRACTS Ltd
 Knoll House, Union Wharf,
 Market Harborough,
 Leicestershire LE16 7UW
 Tel: +44 (0)1858 469 225
 Fax: +44 (0)1858 469 249
www.trcwindows.co.uk



HERITAGE BOX SASH WINDOW

TITLE

HORIZONTAL SECTION

DRAWING No.

HERITAGE-140/03.1

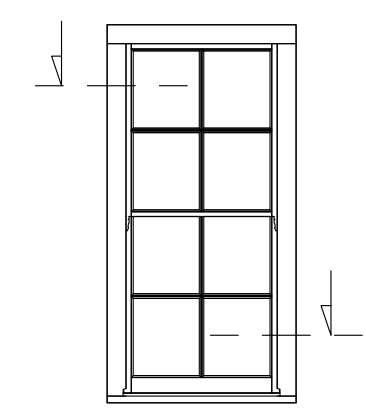
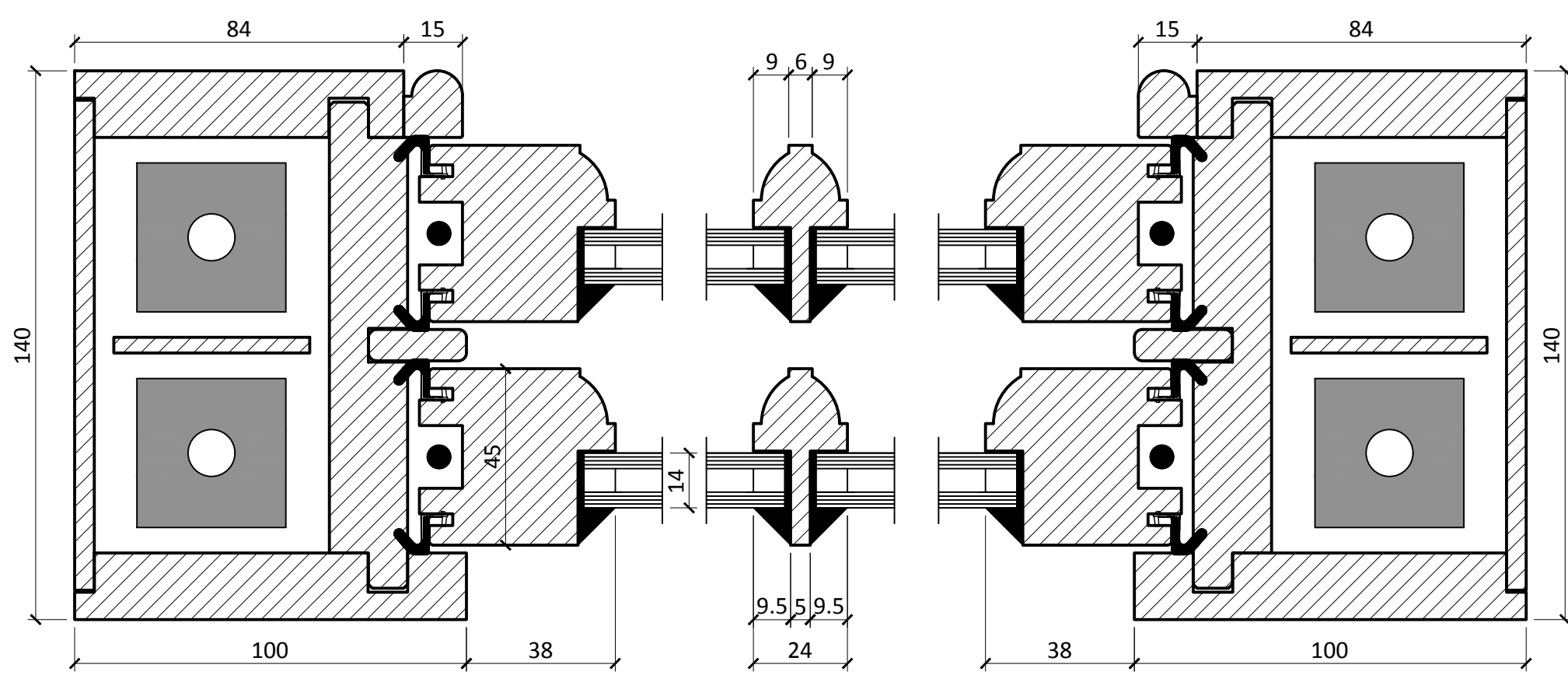
DATE

2018/06/06

SCALE

1:1.5 @ A3

CONSTRUCTION DETAILS



TRC CONTRACTS Ltd
 Knoll House, Union Wharf,
 Market Harborough,
 Leicestershire LE16 7UW
 Tel: +44 (0)1858 469 225
 Fax: +44 (0)1858 469 249
 www.trcwindows.co.uk

TRC ARE AN ISO 9001 REGISTERED COMPANY



HERITAGE BOX SASH WINDOW

TITLE

MULLION DETAIL

DRAWING No.

HERITAGE-140/04.1

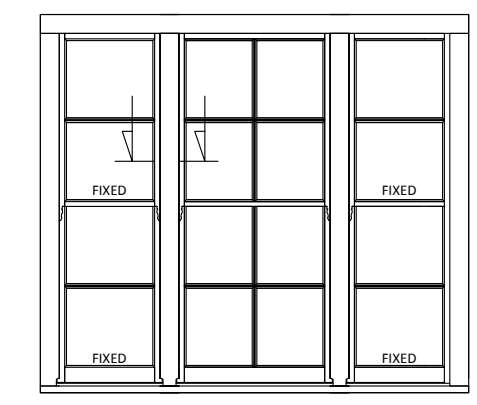
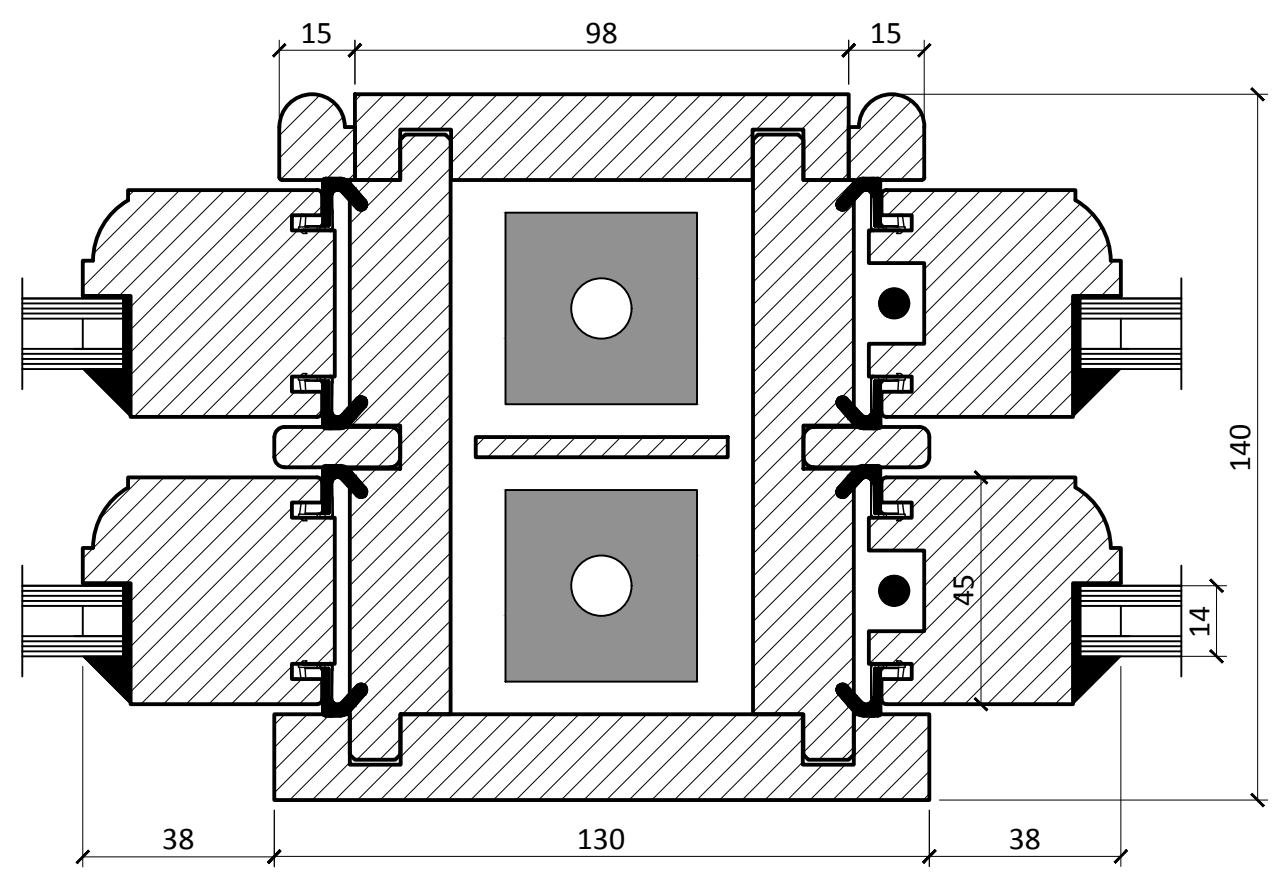
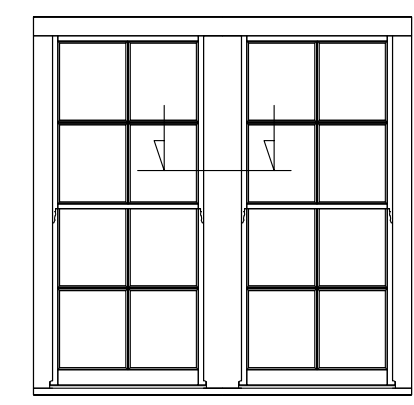
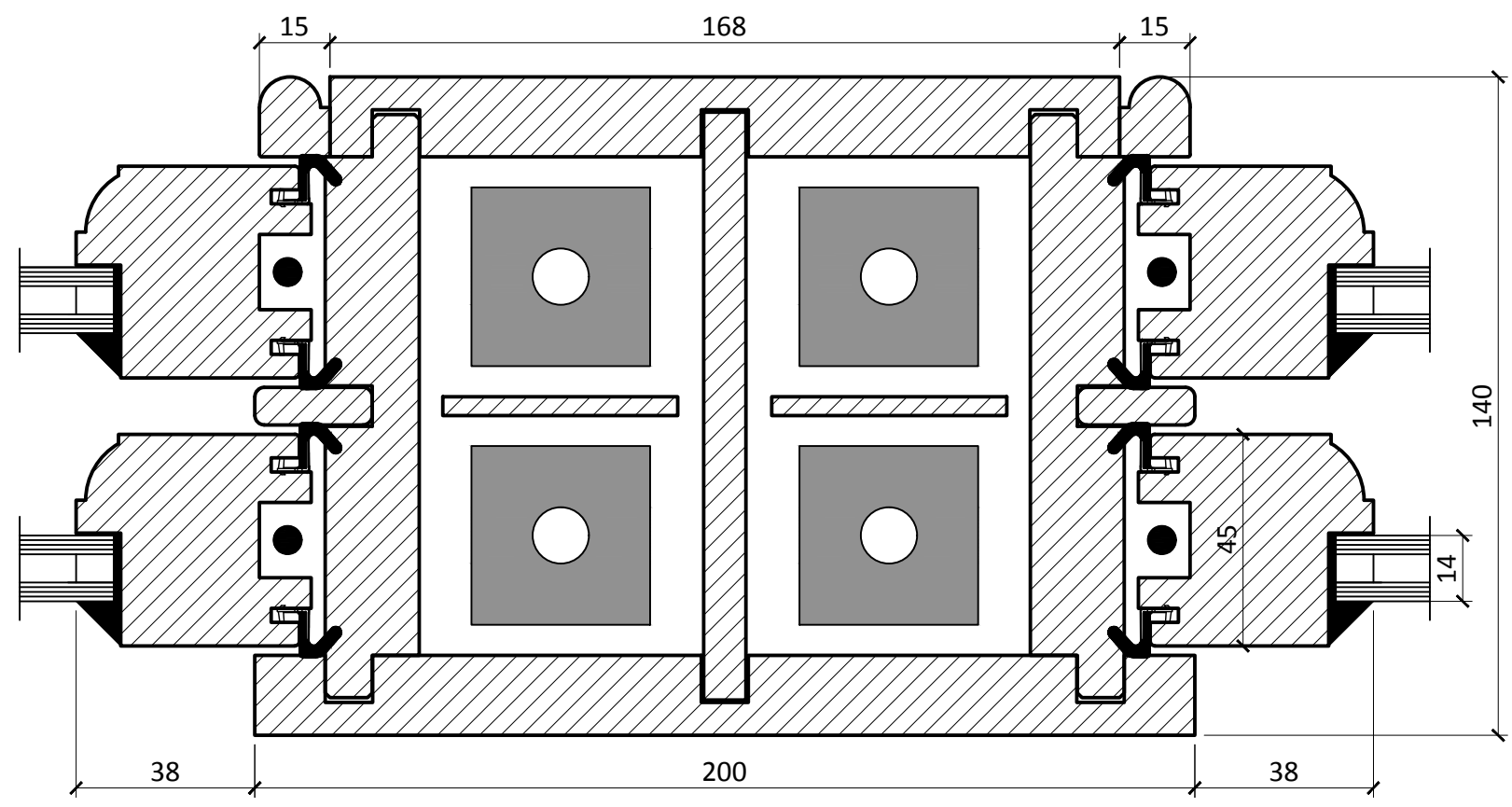
DATE

2018/06/06

SCALE

1:1.5 @ A3

CONSTRUCTION DETAILS



TRC ARE AN ISO 9001 REGISTERED COMPANY



TRC CONTRACTS Ltd
 Knoll House, Union Wharf,
 Market Harborough,
 Leicestershire LE16 7UW
 Tel: +44 (0)1858 469 225
 Fax: +44 (0)1858 469 249
www.trcwindows.co.uk



HERITAGE BOX SASH WINDOW

TITLE

CILL EXTENSION OPTIONS

DRAWING No.

HERITAGE-140/05

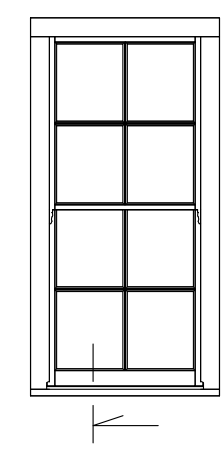
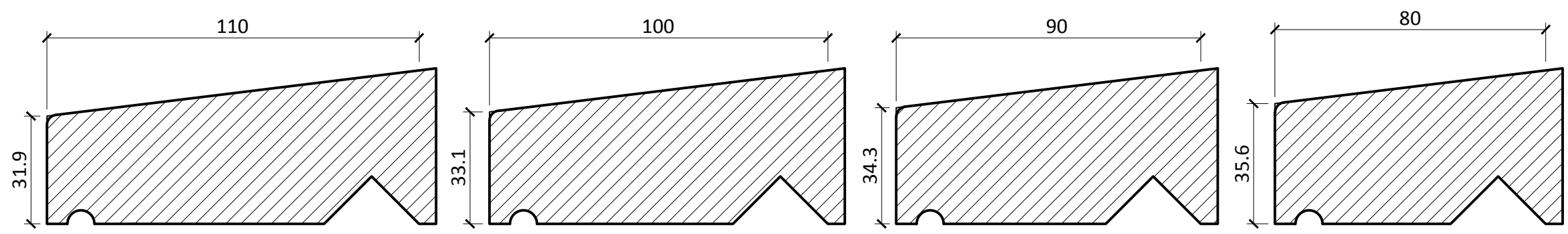
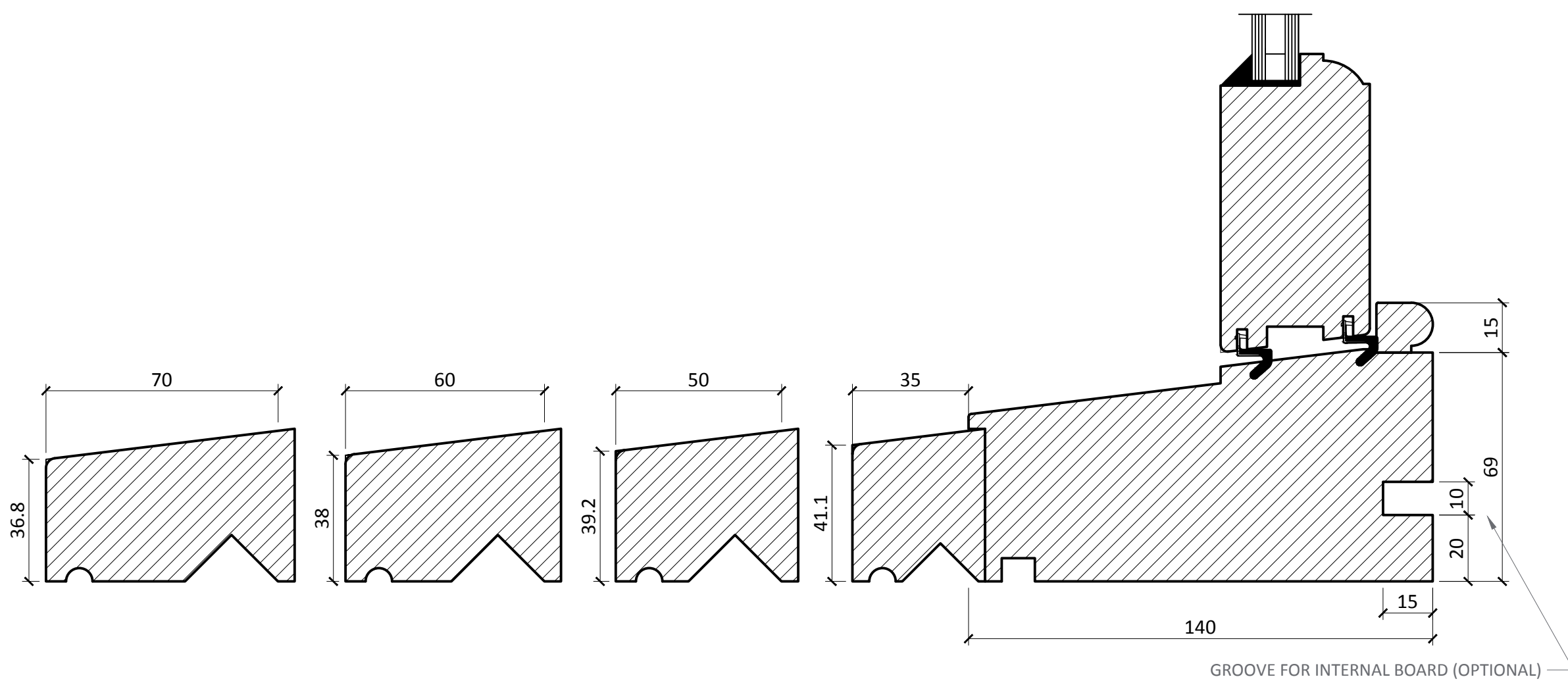
DATE

2018/06/06

SCALE

1:1.5 @ A3

CONSTRUCTION DETAILS



TRC CONTRACTS Ltd
 Knoll House, Union Wharf,
 Market Harborough,
 Leicestershire LE16 7UW
 Tel: +44 (0)1858 469 225
 Fax: +44 (0)1858 469 249
 www.trcwindows.co.uk

TRC ARE AN ISO 9001 REGISTERED COMPANY



HERITAGE BOX SASH WINDOW

TITLE

SASH HORN OPTIONS

DRAWING No.

H-001

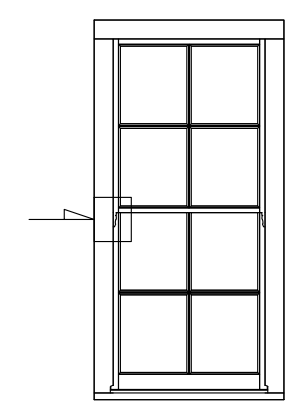
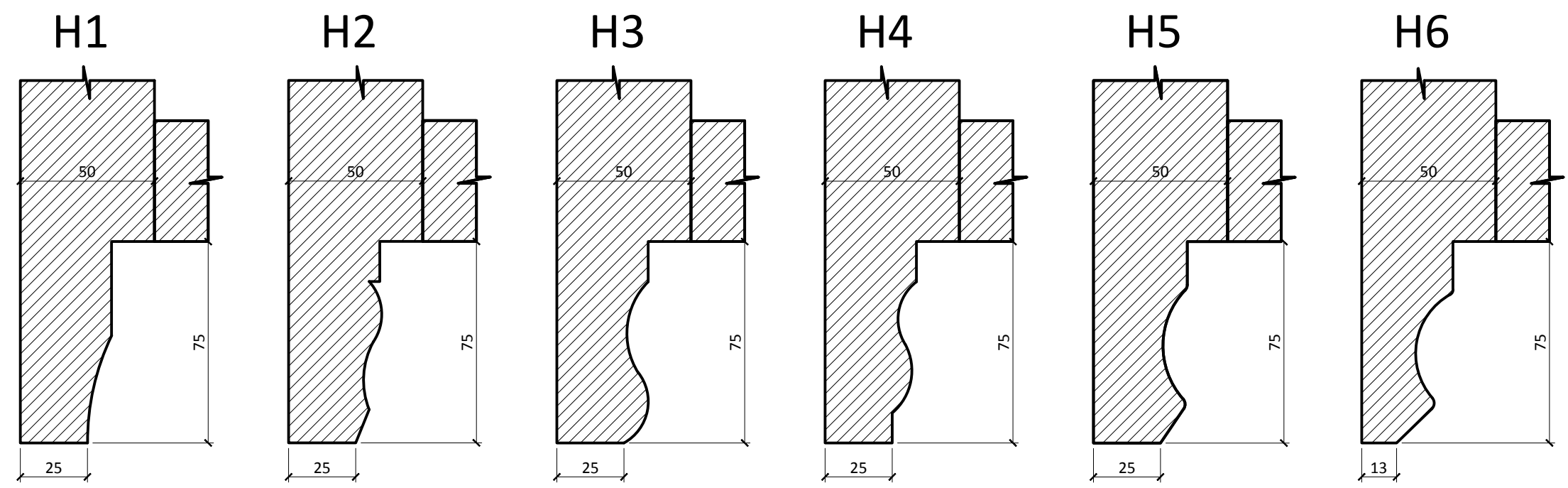
DATE

2018/06/06

SCALE

1:2 @ A3

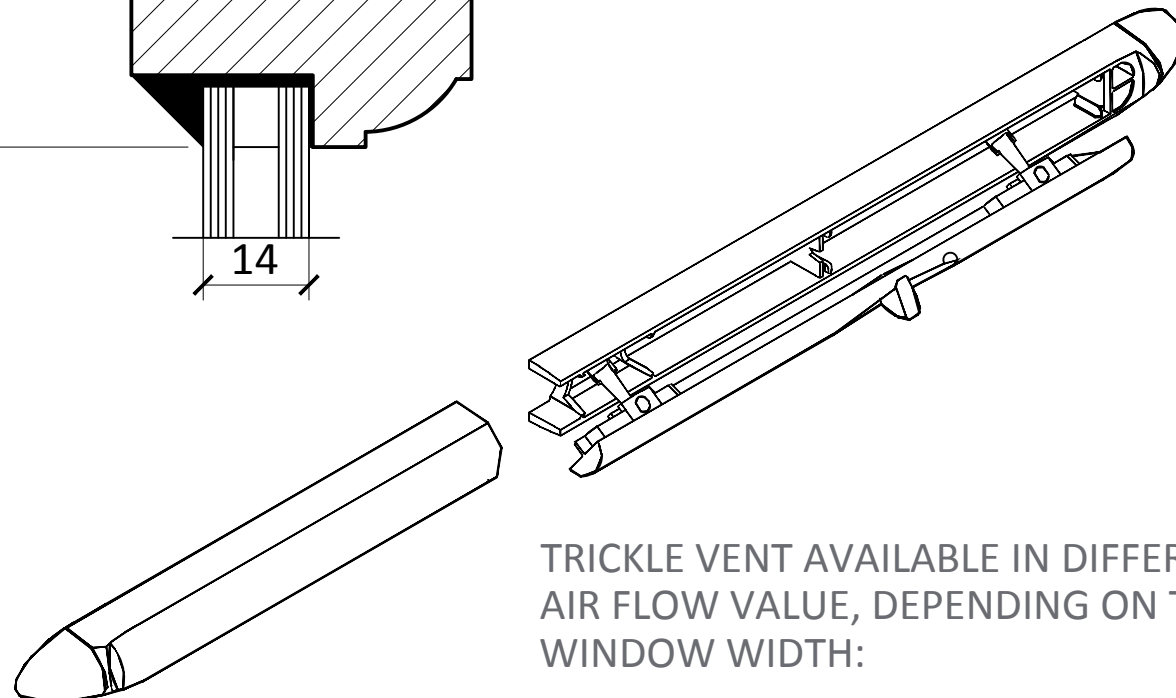
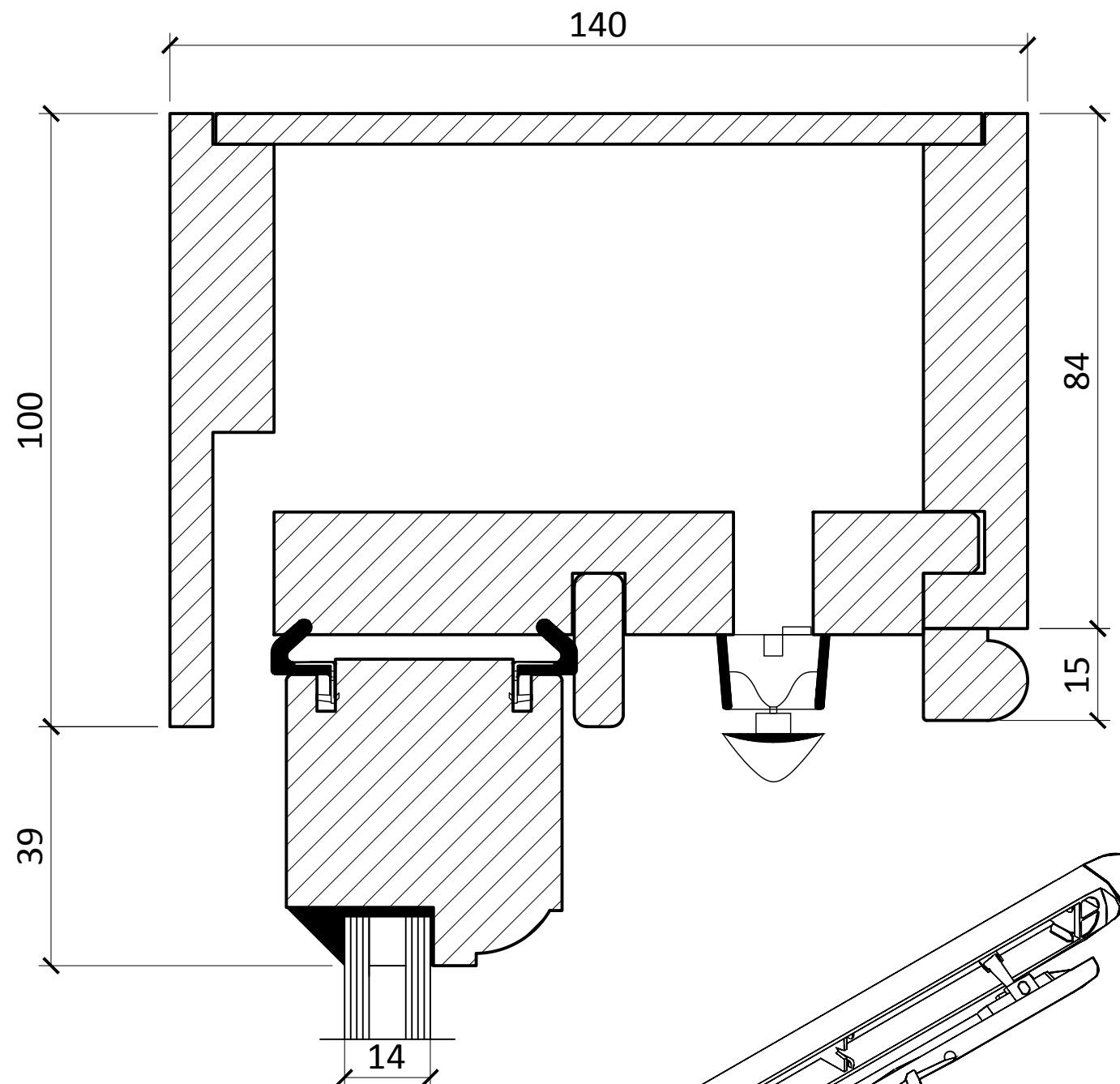
CONSTRUCTION DETAILS



TRC CONTRACTS Ltd
 Knoll House, Union Wharf,
 Market Harborough,
 Leicestershire LE16 7UW
 Tel: +44 (0)1858 469 225
 Fax: +44 (0)1858 469 249
 www.trcwindows.co.uk

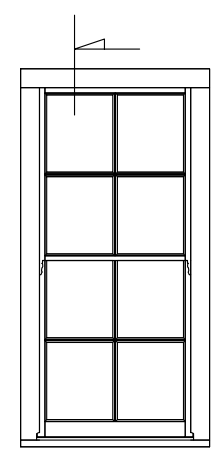
TRC ARE AN ISO 9001 REGISTERED COMPANY





TRICKLE VENT AVAILABLE IN DIFFERENT AIR FLOW VALUE, DEPENDING ON THE WINDOW WIDTH:

- * - 1700 mm² EA
- * - 4400 mm² EA
- * - 5000 mm² EA



PRODUCT TYPE	
HERITAGE BOX SASH WINDOW	
TITLE	
CONCEALED TRICKLE VENT	
DRAWING No.	
HERITAGE-140/06	
DATE	SCALE
2018/06/06	1:1 @ A3

CONSTRUCTION DETAILS

TRC CONTRACTS Ltd
 Knoll House, Union Wharf,
 Market Harborough,
 Leicestershire LE16 7UW
 Tel: +44 (0)1858 469 225
 Fax: +44 (0)1858 469 249
 www.trcwindows.co.uk

TRC ARE AN ISO 9001 REGISTERED COMPANY

