

**HERITAGE DOOR**

TITLE

**ELEVATION DRAWING**

DRAWING No.

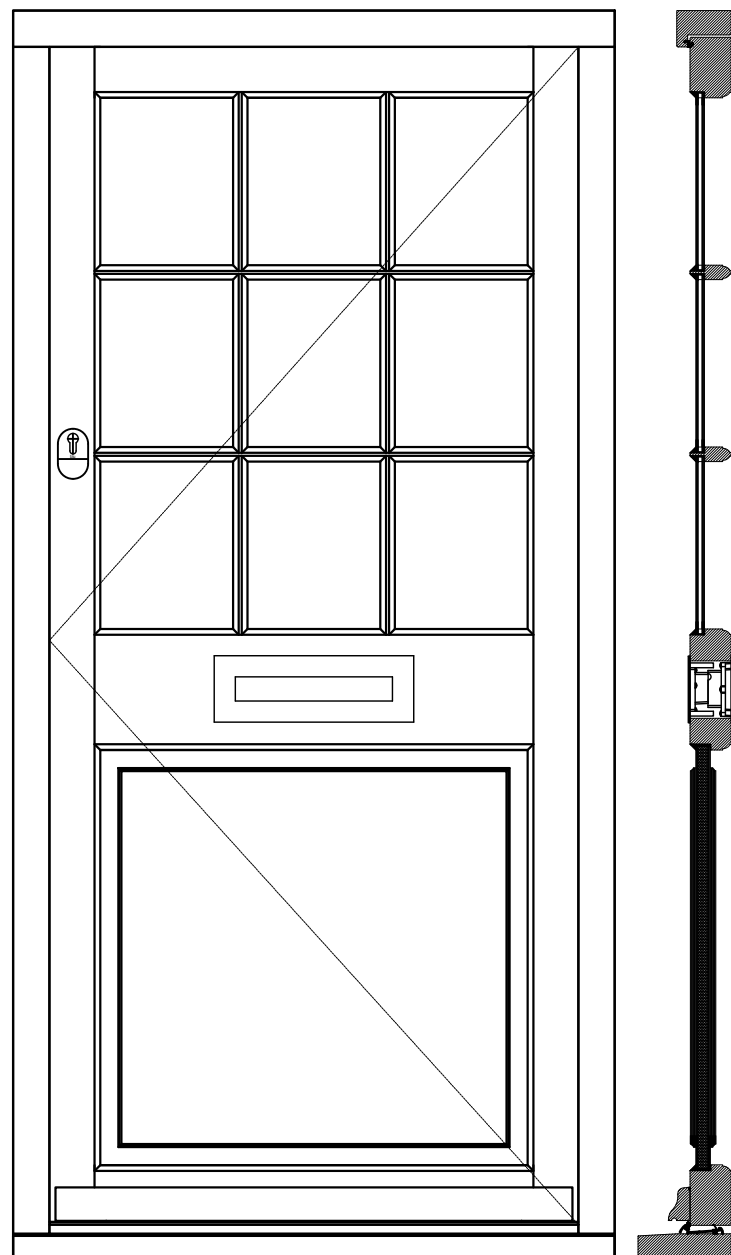
**HD-W-90/01**

DATE

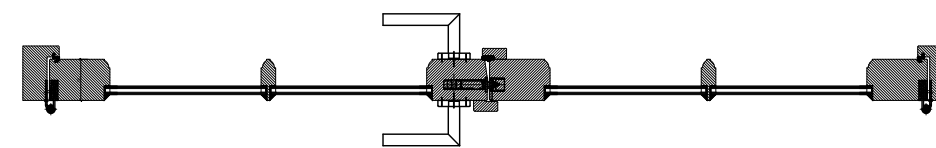
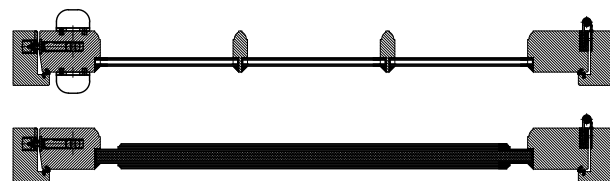
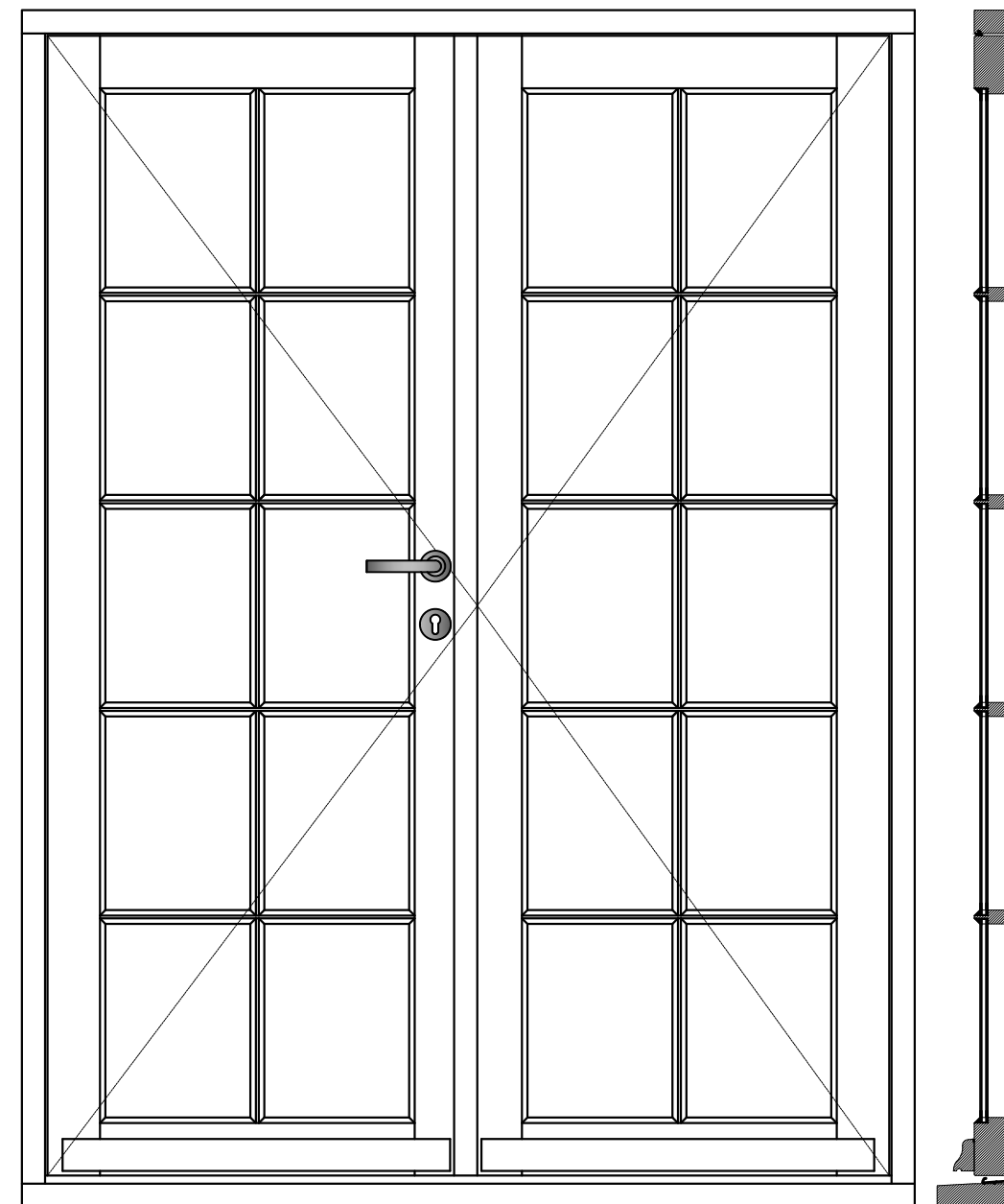
**2018/06/06**

SCALE

CONSTRUCTION DETAILS



Material	Manufactured in selected engineered laminated pine or hardwood, sourced from sustainable and managed forestry (FSC or PFEC certified)
Mechanism	The door leaf is hung on the 3D adjustable door hinges and locked by multipoint lock
Weatherseal	The door is fully weather sealed to BS EN 6375-1 2009
Glazing	Doors are glazed using Slim sealed units and traditionally sealed externally using a glazing compound
Glass	Slim dual sealed units complying with BS EN 1279 parts 1-6 up to 20mm thickness
Thermal Performance	Thermal performance is calculated by the standards of EN ISO 10077-1:2006 and typically this door achieves a U-value of 1.6 W/m <sup>2</sup> K or better
Glazing Bars	Solid traditional framed glazing bars with individual glass units
Cills	Manufactured in Hardwood with aluminium threshold
Fittings	Door lever or pull handles with options in colour and finish
Letter plates	Weather sealed letter plate with options in colour and finish
Factory Finishing	To ensure the smooth operation and optimum performance of the door, we apply 3 coats of sprayed applied microporous water based paint system



TRC CONTRACTS Ltd  
 Knoll House, Union Wharf,  
 Market Harborough,  
 Leicestershire LE16 7UW  
 Tel: +44 (0)1858 469 225  
 Fax: +44 (0)1858 469 249  
 www.trcwindows.co.uk



# HERITAGE DOOR

TITLE

## SINGLE DOOR SECTIONS

DRAWING No.

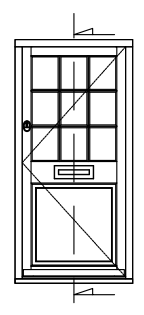
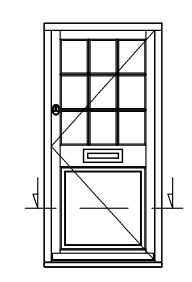
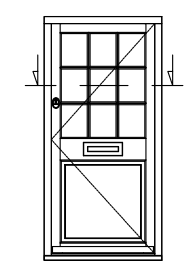
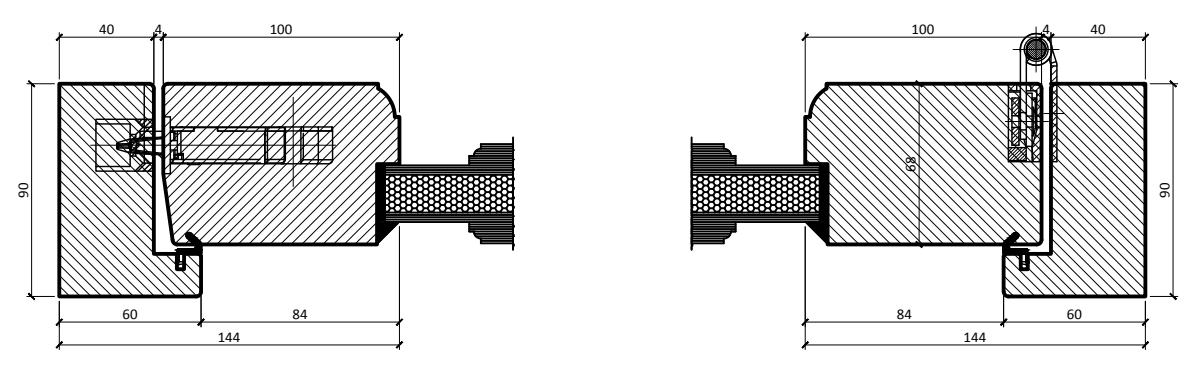
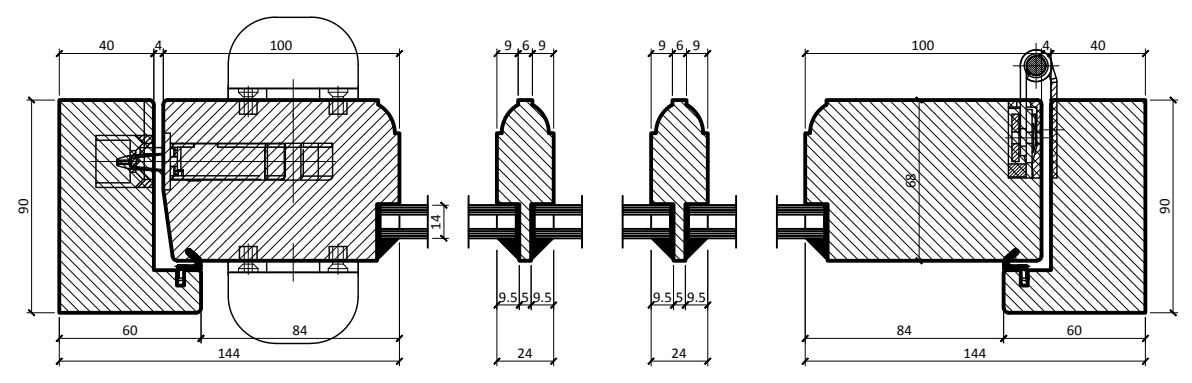
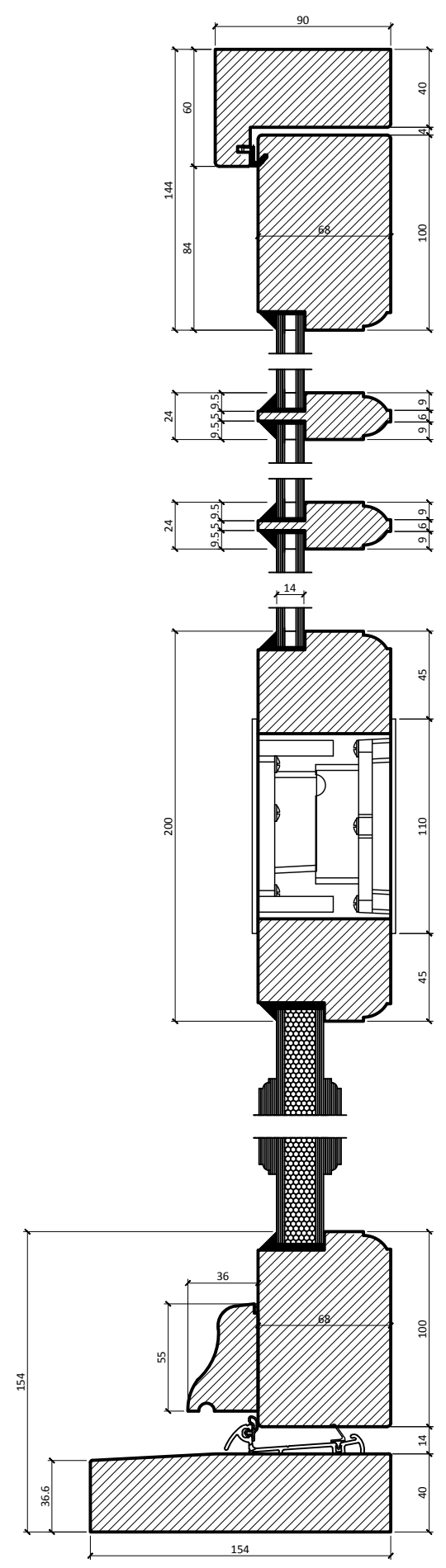
### HD-W-90/02

DATE

2018/06/06

SCALE

CONSTRUCTION DETAILS



TRC ARE AN ISO 9001 REGISTERED COMPANY



TRC CONTRACTS Ltd  
 Knoll House, Union Wharf,  
 Market Harborough,  
 Leicestershire LE16 7UW  
 Tel: +44 (0)1858 469 225  
 Fax: +44 (0)1858 469 249  
 www.trcwindows.co.uk



# HERITAGE DOOR

TITLE

## FRENCH DOOR SECTIONS

DRAWING No.

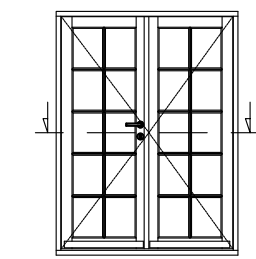
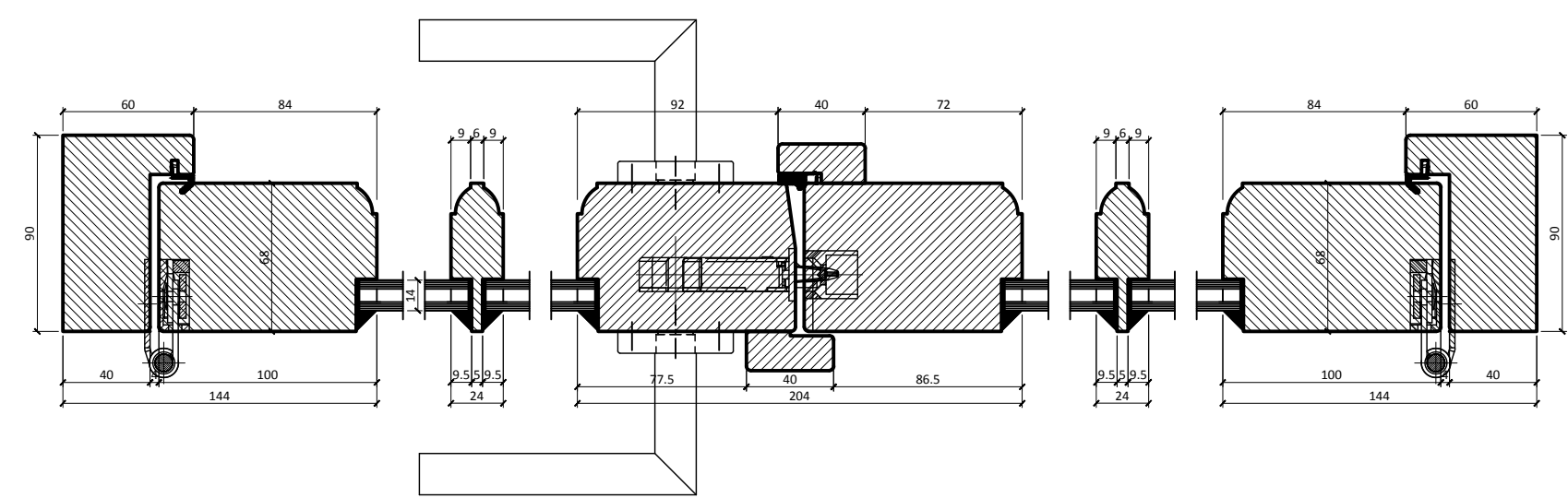
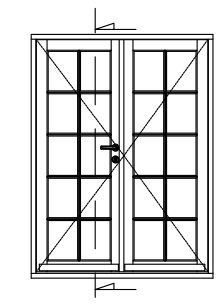
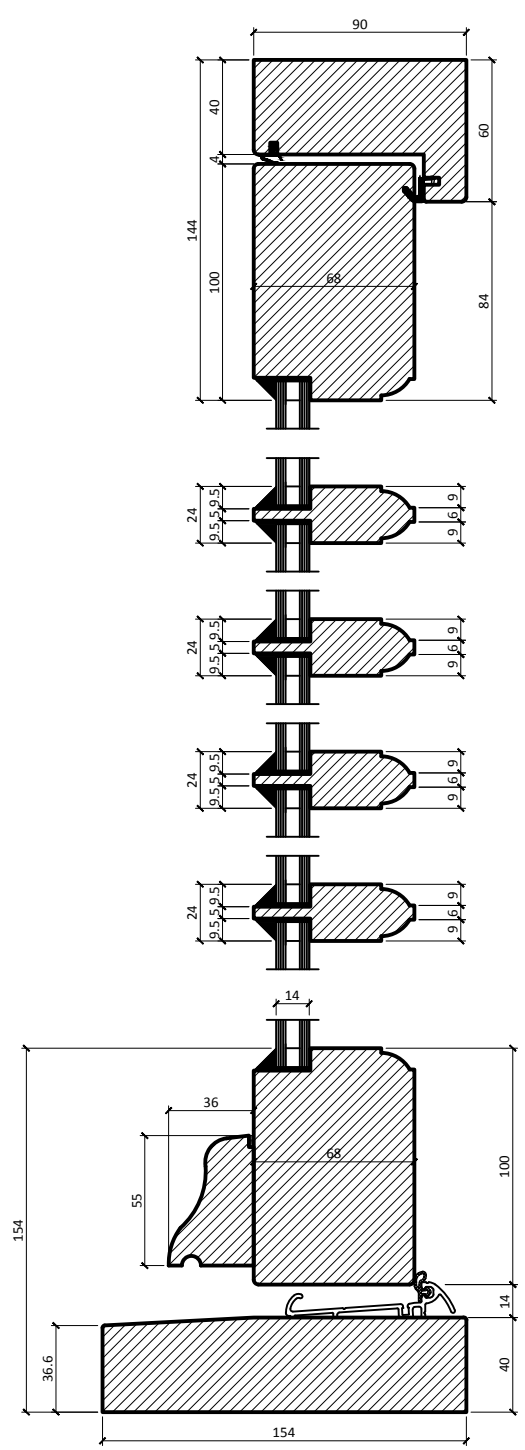
### HD-W-90/03

DATE

2018/06/06

SCALE

CONSTRUCTION DETAILS



TRC ARE AN ISO 9001 REGISTERED COMPANY



TRC CONTRACTS Ltd  
 Knoll House, Union Wharf,  
 Market Harborough,  
 Leicestershire LE16 7UW  
 Tel: +44 (0)1858 469 225  
 Fax: +44 (0)1858 469 249  
 www.trcwindows.co.uk

