

# HERITAGE CASEMENT WINDOW

TITLE

## ELEVATION DRAWING

DRAWING No.

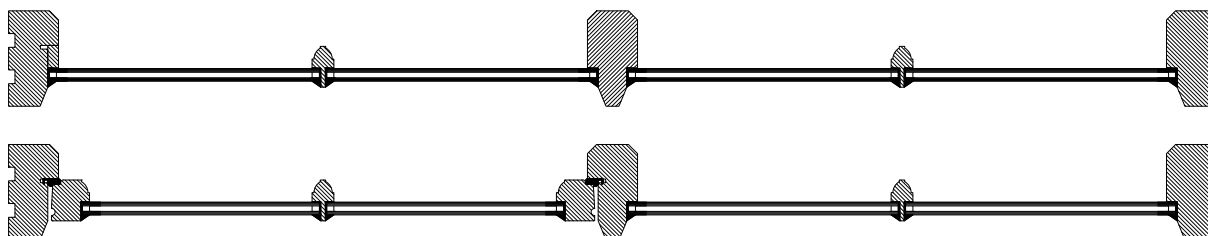
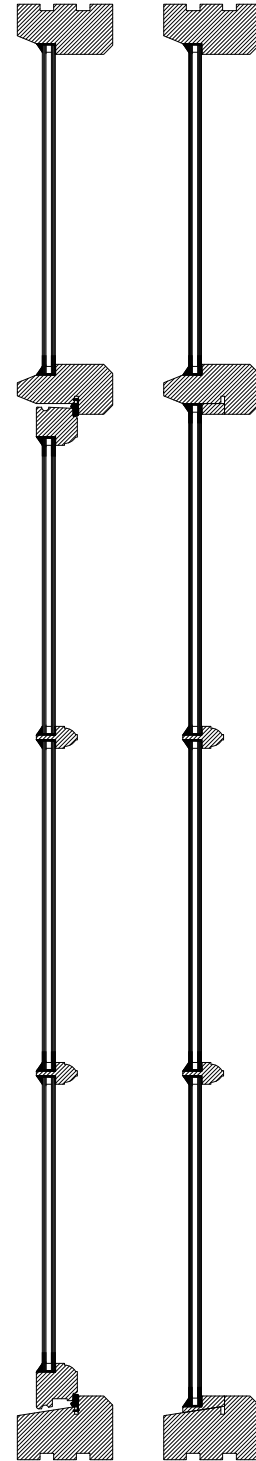
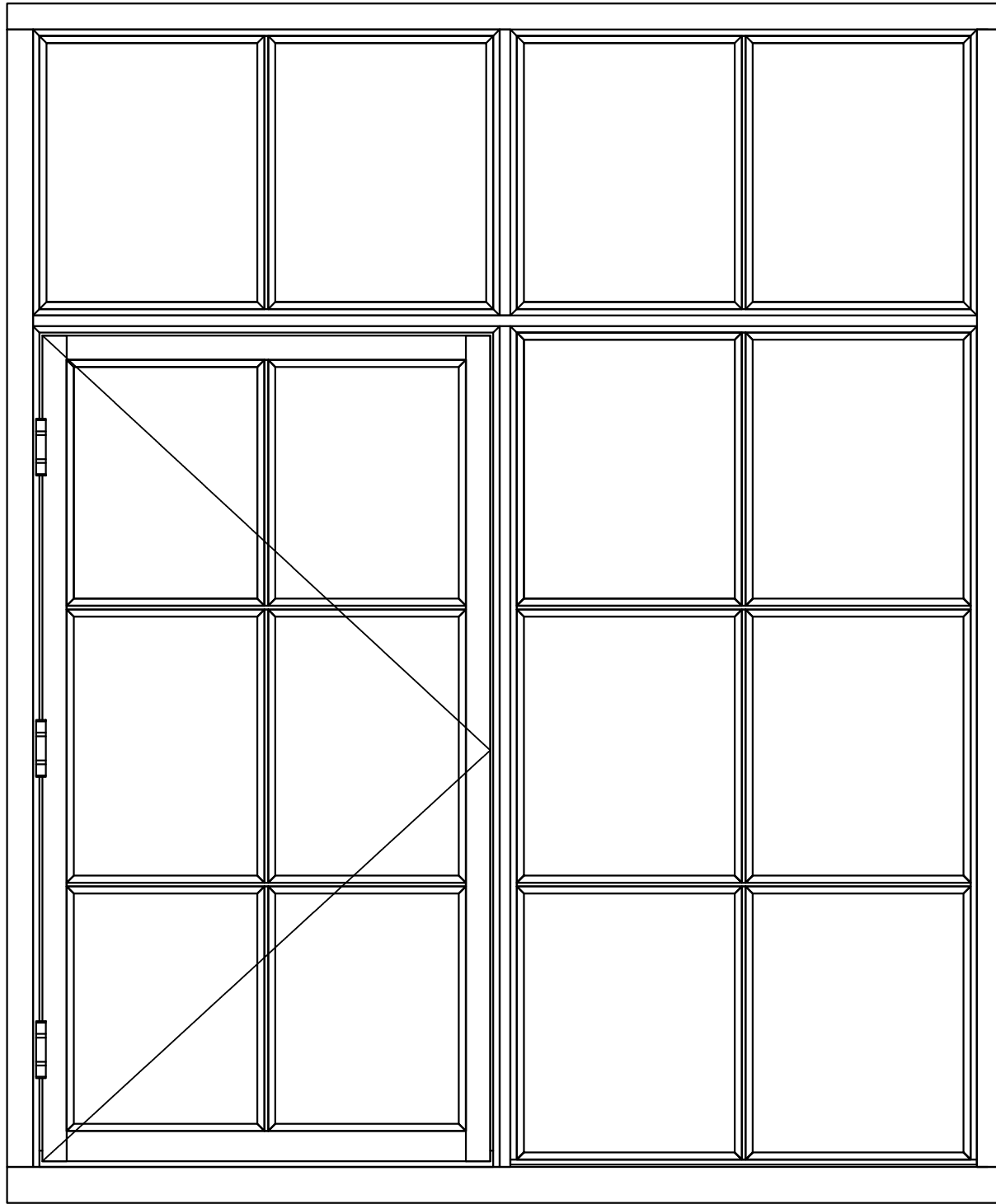
HC-W-105/01

DATE

2018/06/06

SCALE

CONSTRUCTION DETAILS



Material	Manufactured in selected engineered laminated pine or hardwood, sourced from sustainable and managed forestry (FSC or PFEC certified)
Mechanism	Sashes are hung and operated on the butt hinges and locked by night vent lockable fastener and casement stay
Weatherseal	The window is fully weather sealed to BS EN 6375-1 2009
Glazing	Windows are glazed using Slim sealed units and traditionally sealed externally using a glazing compound
Glass	Slim dual sealed units complying with BS EN 1279 parts 1-6 up to 20mm thickness typically achieving a whole window Acoustic value up to 36dB noise reduction
Thermal Performance	Thermal performance is calculated by the standards of EN ISO 10077-1:2006 and typically this window achieves a U-value of 1.6 W/m <sup>2</sup> K or better
Glazing Bars	Solid traditional framed glazing bars with individual glass units
Cills	Manufactured in Hardwood with options of cill projections
Fittings	A lockable night vent casement fastener and casement stay with options in colour and finish
Ventilation	A controllable trickle ventilator can be fitted to the window dependant on width of sash (See Drawing No HC-W-105/06)
Restrictors	Restrictors which allows the opening of the sash to be restricted to 100mm is an option
Factory Finishing	To ensure the smooth operation and optimum performance of the window, we apply 3 coats of sprayed applied microporous water based paint system

TRC CONTRACTS Ltd  
 Knoll House, Union Wharf,  
 Market Harborough,  
 Leicestershire LE16 7UW  
 Tel: +44 (0)1858 469 225  
 Fax: +44 (0)1858 469 249  
 www.trcwindows.co.uk



TRC ARE AN ISO 9001 REGISTERED COMPANY



# HERITAGE CASEMENT WINDOW

TITLE

## VERTICAL SECTION

DRAWING No.

### HC-W-105/02

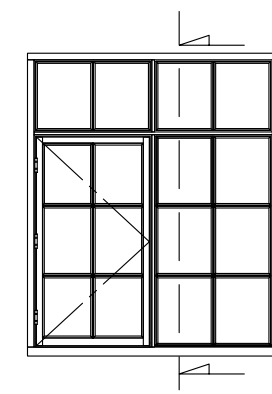
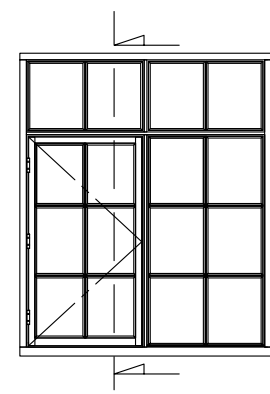
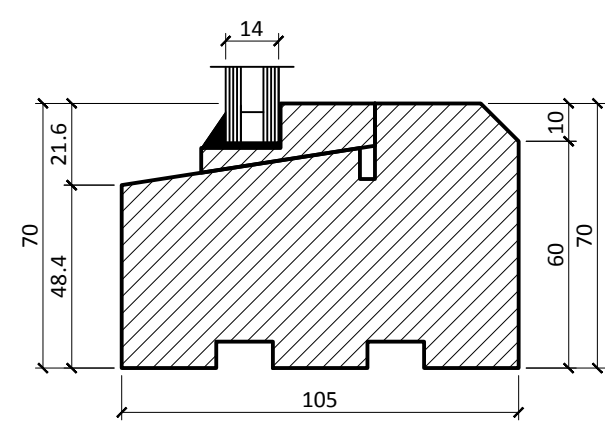
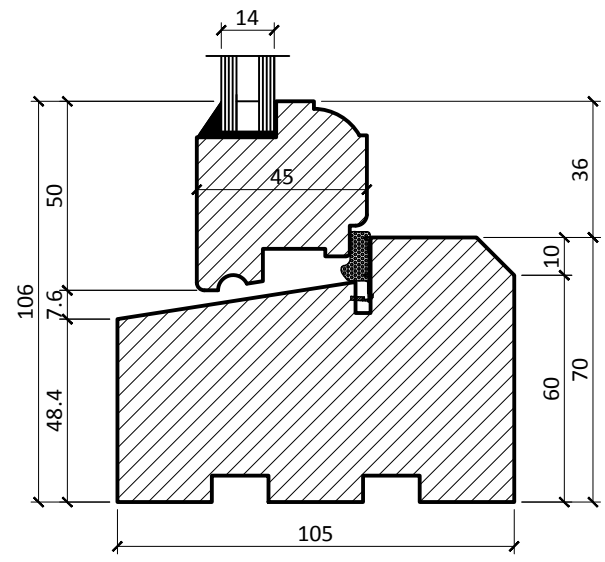
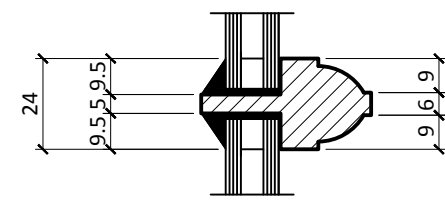
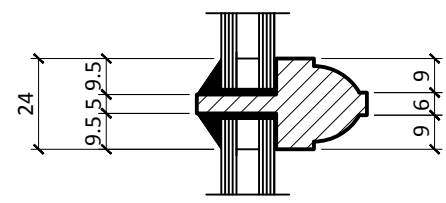
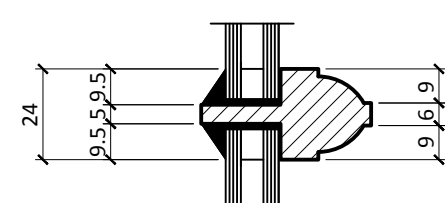
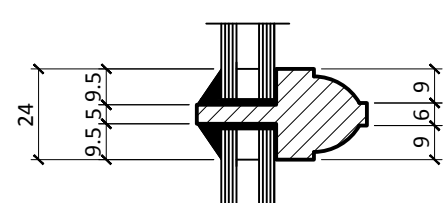
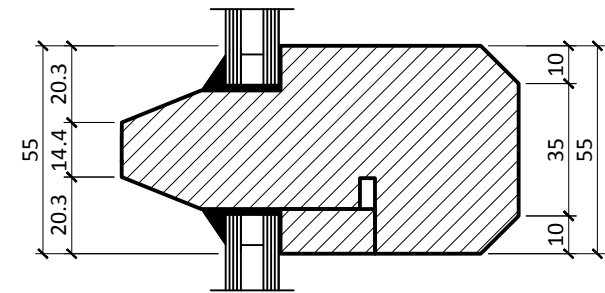
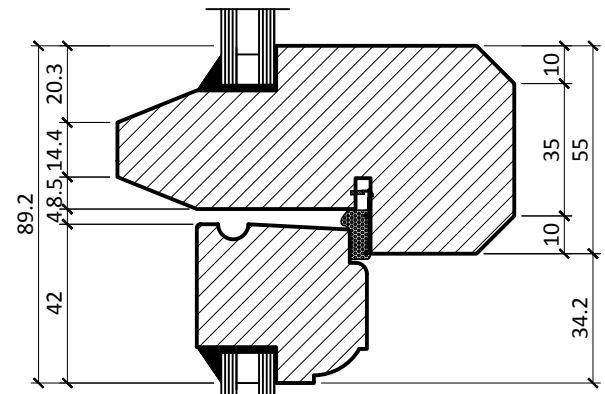
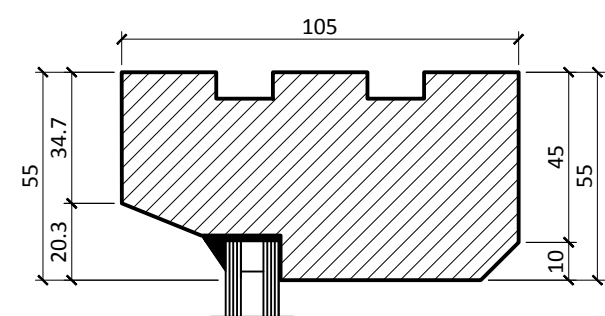
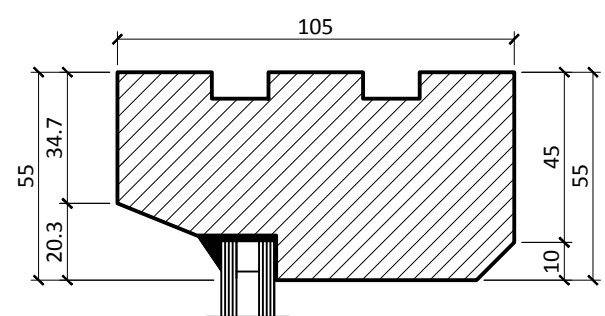
DATE

2018/06/06

SCALE

1:2 @ A3

CONSTRUCTION DETAILS



TRC ARE AN ISO 9001 REGISTERED COMPANY



TRC CONTRACTS Ltd  
 Knoll House, Union Wharf,  
 Market Harborough,  
 Leicestershire LE16 7UW  
 Tel: +44 (0)1858 469 225  
 Fax: +44 (0)1858 469 249  
 www.trcwindows.co.uk



# HERITAGE CASEMENT WINDOW

TITLE

## HORIZONTAL SECTION

DRAWING No.

HC-W-105/03

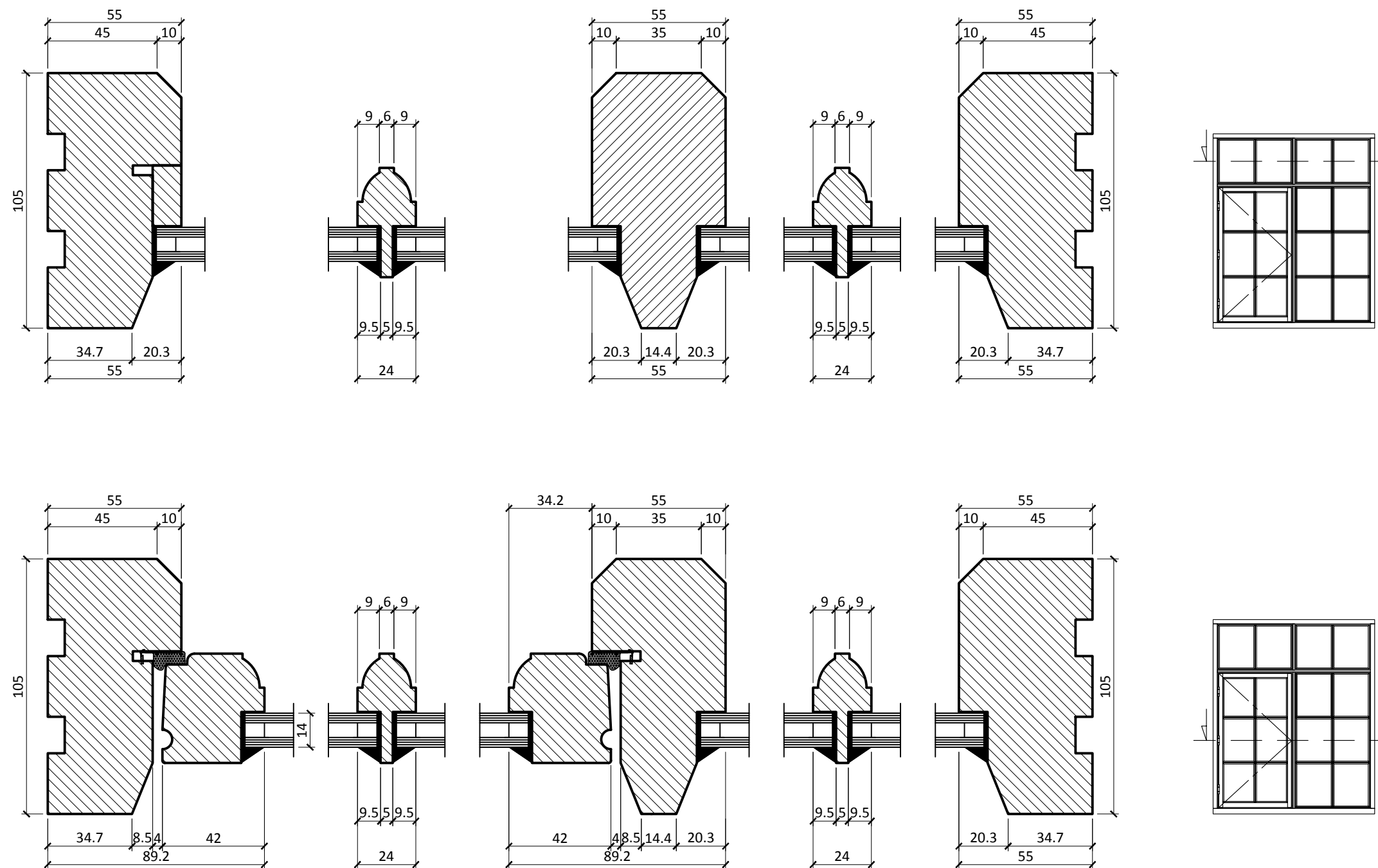
DATE

2018/06/06

SCALE

1:2 @ A3

CONSTRUCTION DETAILS



TRC CONTRACTS Ltd  
 Knoll House, Union Wharf,  
 Market Harborough,  
 Leicestershire LE16 7UW  
 Tel: +44 (0)1858 469 225  
 Fax: +44 (0)1858 469 249  
 www.trcwindows.co.uk

TRC ARE AN ISO 9001 REGISTERED COMPANY



# HERITAGE CASEMENT WINDOW

TITLE

## FRAME OPTIONS

DRAWING No.

HC-W-105/04

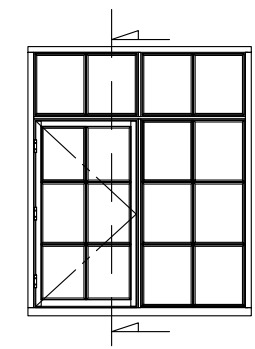
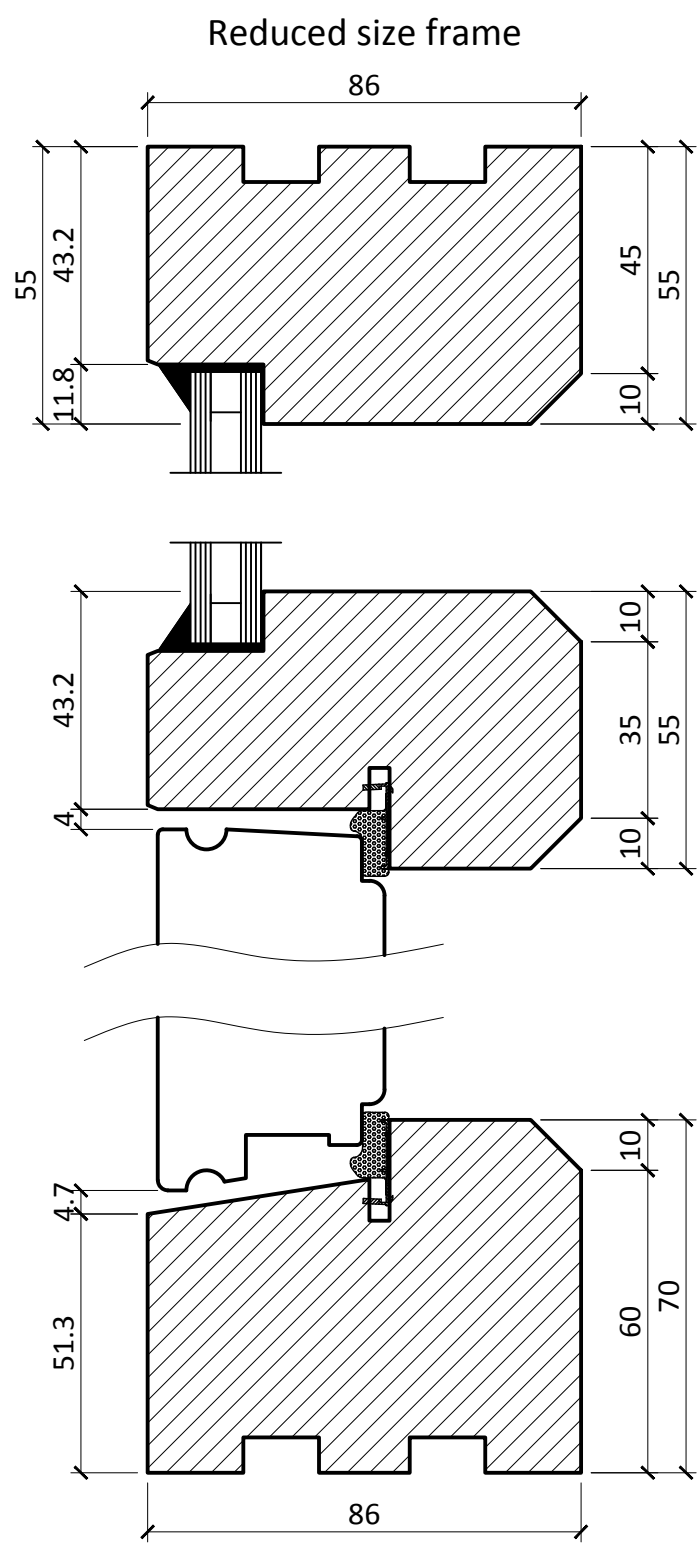
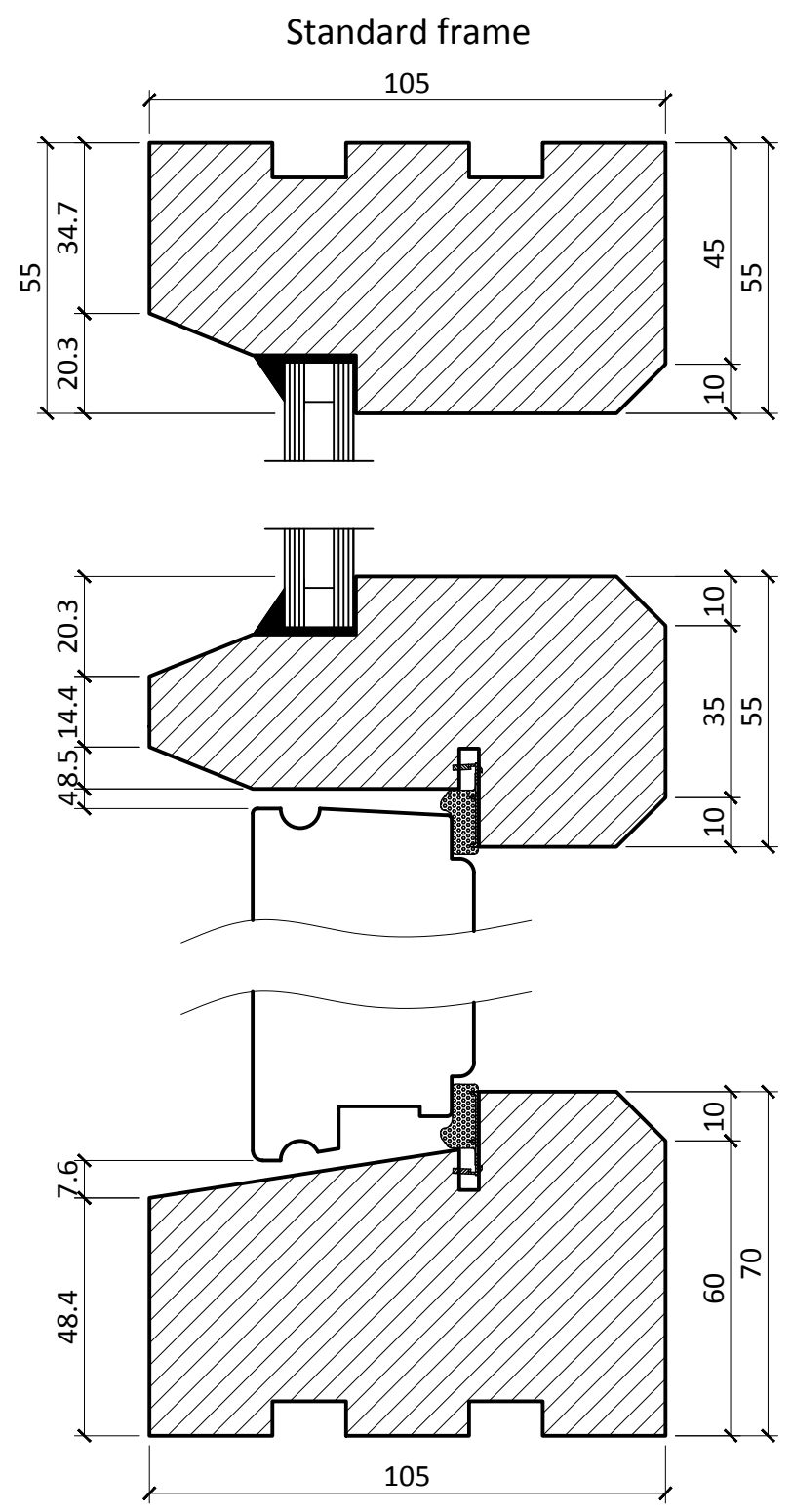
DATE

2018/06/06

SCALE

1:1.5 @ A3

CONSTRUCTION DETAILS



TRC ARE AN ISO 9001 REGISTERED COMPANY



TRC CONTRACTS Ltd  
 Knoll House, Union Wharf,  
 Market Harborough,  
 Leicestershire LE16 7UW  
 Tel: +44 (0)1858 469 225  
 Fax: +44 (0)1858 469 249  
 www.trcwindows.co.uk



# HERITAGE CASEMENT WINDOW

TITLE

## CILL EXTENSION OPTIONS

DRAWING No.

### HC-W-105/05

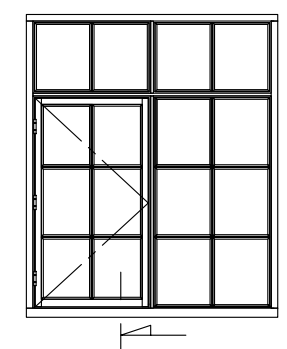
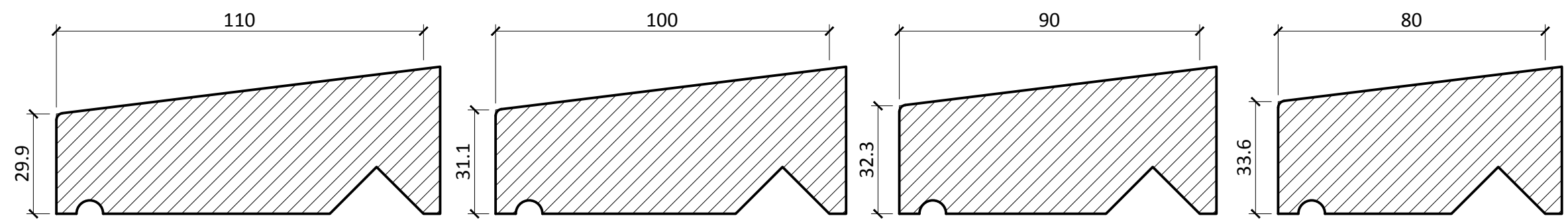
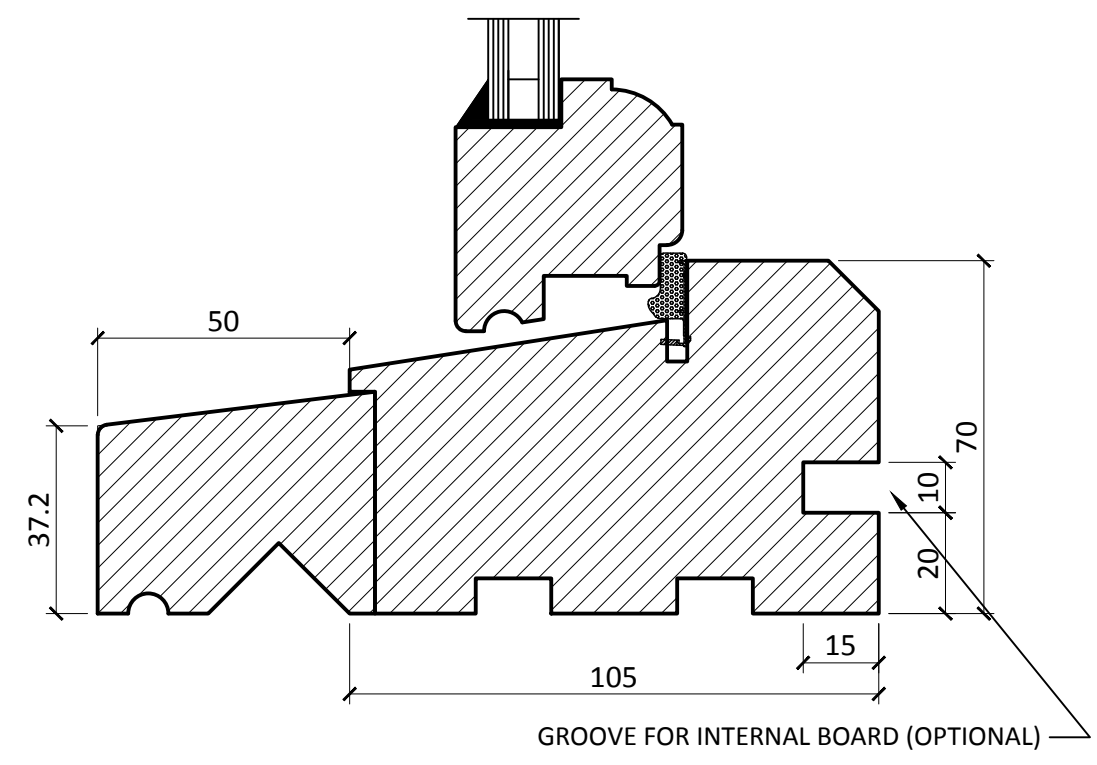
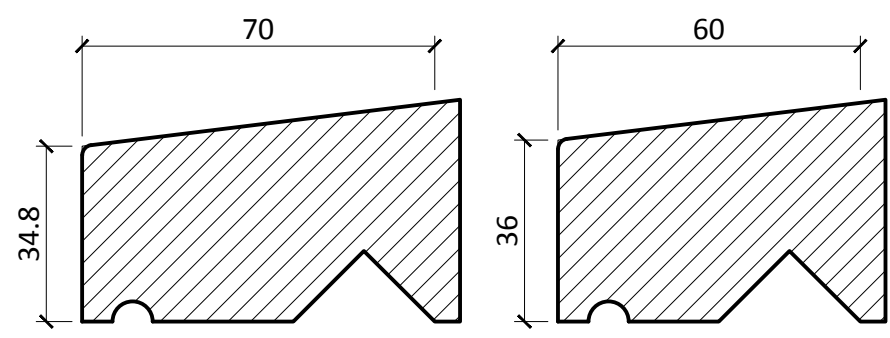
DATE

2018/06/06

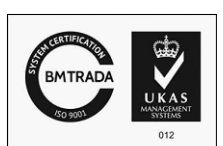
SCALE

1:1.5 @ A3

CONSTRUCTION DETAILS



TRC ARE AN ISO 9001 REGISTERED COMPANY



TRC CONTRACTS Ltd  
 Knoll House, Union Wharf,  
 Market Harborough,  
 Leicestershire LE16 7UW  
 Tel: +44 (0)1858 469 225  
 Fax: +44 (0)1858 469 249  
 www.trcwindows.co.uk



# HERITAGE CASEMENT WINDOW

TITLE

## TRICKLE VENT

DRAWING No.

### HC-W-105/06

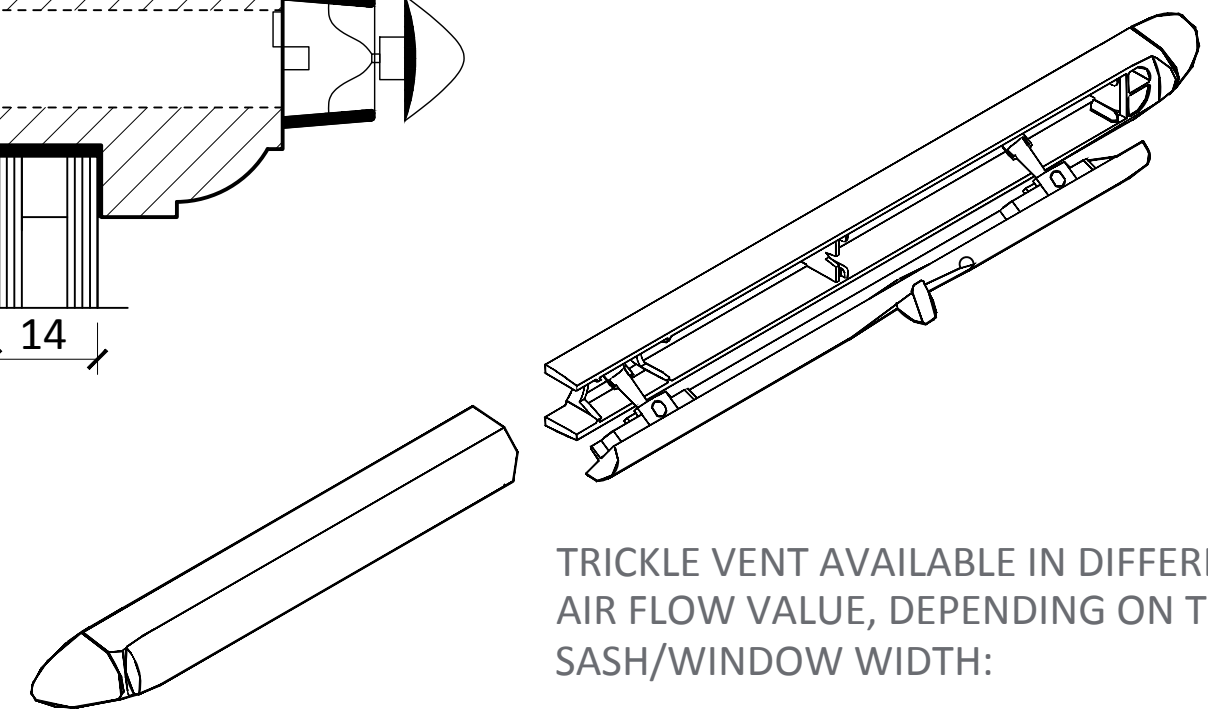
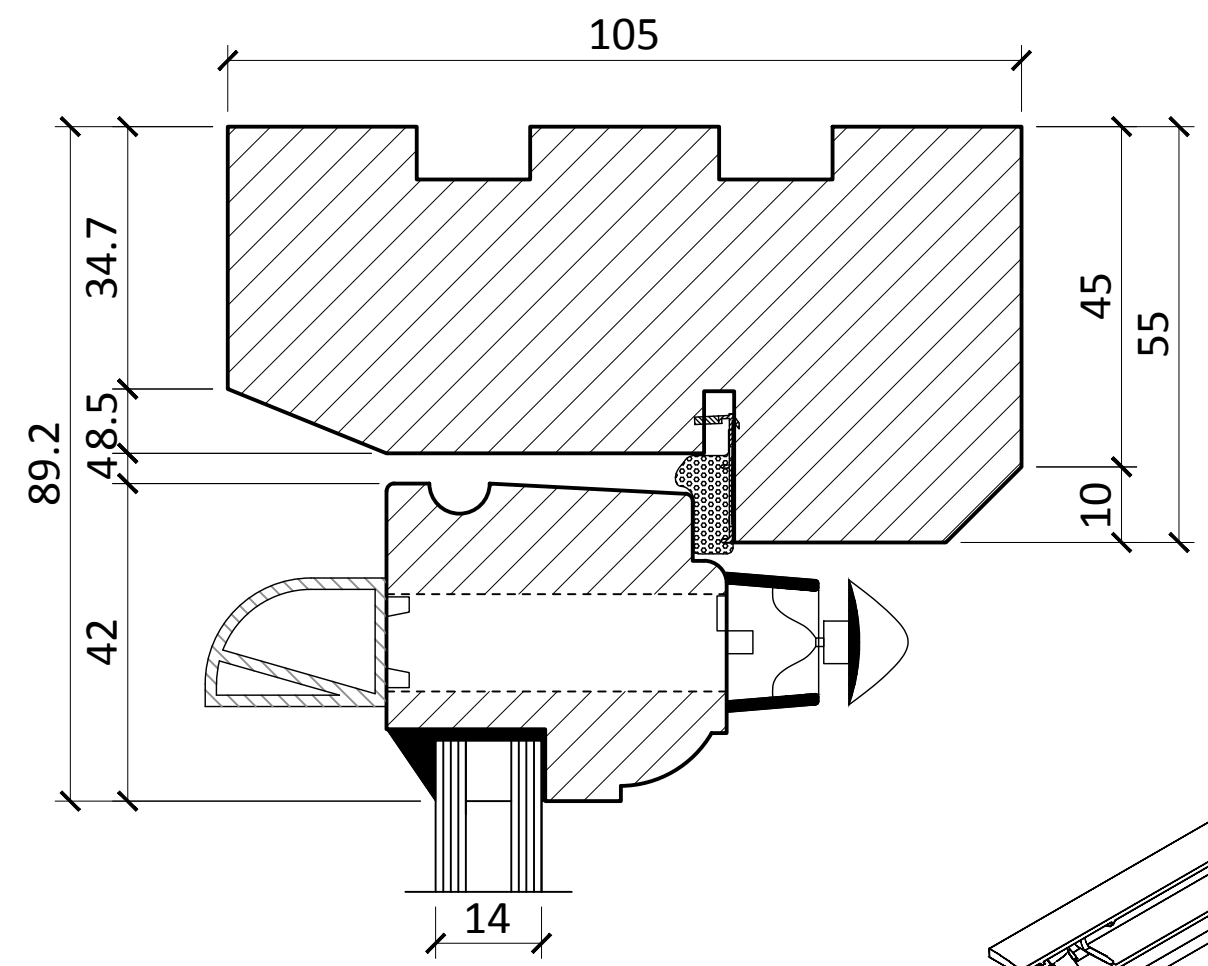
DATE

2018/06/06

SCALE

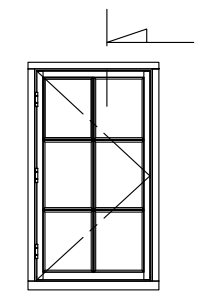
1:1 @ A3

CONSTRUCTION DETAILS



TRICKLE VENT AVAILABLE IN DIFFERENT AIR FLOW VALUE, DEPENDING ON THE SASH/WINDOW WIDTH:

- \* - 1700 mm<sup>2</sup> EA
- \* - 4400 mm<sup>2</sup> EA
- \* - 5000 mm<sup>2</sup> EA



TRC ARE AN ISO 9001 REGISTERED COMPANY



TRC CONTRACTS Ltd  
 Knoll House, Union Wharf,  
 Market Harborough,  
 Leicestershire LE16 7UW  
 Tel: +44 (0)1858 469 225  
 Fax: +44 (0)1858 469 249  
 www.trcwindows.co.uk

